

## Piston diaphragm pumps R409.2 KM



Type	Nominal capacity* l/h QN 50 Hz	Nominal capacity* l/h QN 60 Hz	Nennförder- strom* l/h QN 50 Hz	Nennförder- strom* l/h QN 60 Hz	max. counter pressure p <sub>2</sub> max.	max. suction height	permissible pressu- re at inlet of pump min./max. bar
	QN bei p <sub>2</sub> max.		QN bei p <sub>2</sub> max./2				
R409.2-7,5 KM	0 - 7,5	0 - 9	0 - 7,5	0 - 9	80 bar	2	-0,2/0
R409.2-10 KM	0 - 10	0 - 12	0 - 10	0 - 12	80 bar	2	-0,2/0
R409.2-12 KM	0 - 12	0 - 14,4	0 - 12	0 - 14,4	70 bar	2	-0,2/0
R409.2-18 KM	0 - 18	0 - 21	0 - 18	0 - 21	70 bar	2	-0,2/0
R409.2-30 KM	0 - 30	0 - 36	0 - 30	0 - 36	35 bar	3	-0,3/0
R409.2-45 KM	0 - 45	0 - 54	0 - 45	0 - 54	35 bar	3	-0,3/0
R409.2-70 KM	0 - 70	0 - 84	0 - 70	0 - 84	20 bar	3	-0,3/0
R409.2-95 KM	0 - 95	0 - 114	0 - 95	0 - 114	20 bar	3	-0,3/0
R409.2-135 KM	0 - 135	0 - 162	0 - 135	0 - 162	10 bar	3	-0,3/0
R409.2-190 KM	0 - 190	—	0 - 190	—	10 bar	3	-0,3/0

Type	Inlet/Outlet nominal width DN	Nominal stroke frequency 50 Hz min-1	Nominal stroke frequency 60 Hz min-1	max. stroke length mm	Conveying capacity per Hub ml/Hub	Motor output kW	Weight** ca. kg
R409.2-7,5 KM	10	100	120	10	1,25	0,37	13,5
R409.2-10 KM	10	150	180	10	1,1	0,37	13,5
R409.2-12 KM	10	100	120	10	2,0	0,37	13,5
R409.2-18 KM	10	150	180	10	2,0	0,37	13,5
R409.2-30 KM	10	100	120	10	5	0,37	16,4
R409.2-45 KM	10	150	180	10	5	0,37	16,4
R409.2-70 KM	15	100	120	10	11,6	0,37	16,4
R409.2-95 KM	15	150	180	10	10,6	0,37	16,4
R409.2-135 KM	15	100	120	10	22,5	0,37	16,4
R409.2-190 KM	15	150	180	10	21,1	0,37	16,4

\* Linearity acc. to TA-102

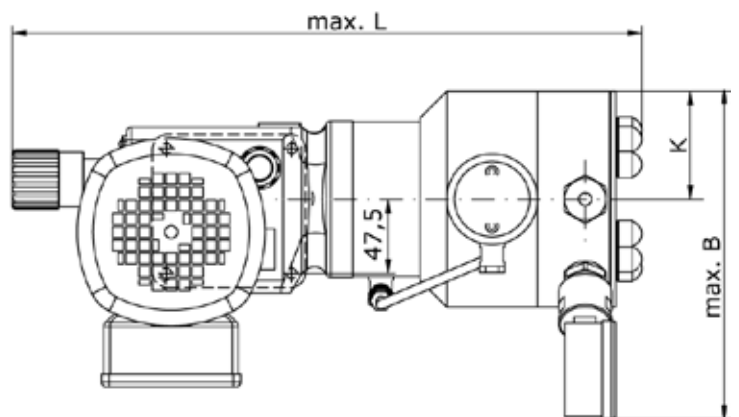
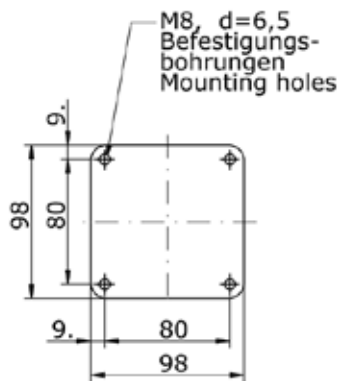
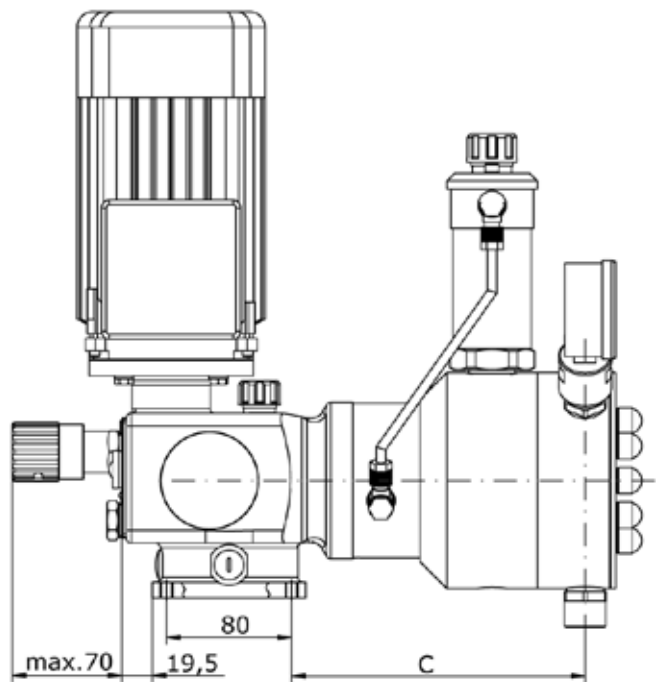
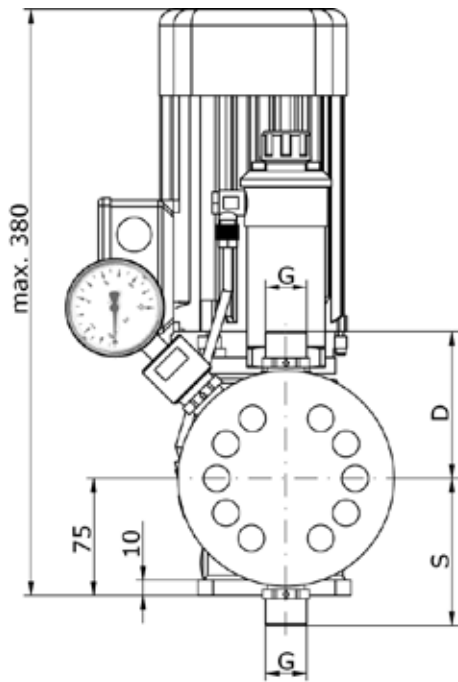
\*\* Standard execution

Pump body and valves of plastic only usable up to max. 10 bar (p<sub>2max</sub>).

### Motor data

Pump type	Motor output kW	Frequency Hz	50 Hz		60 Hz		Isolation class ISO	Protec- tion class IP
			Voltage V	Flow rate (at 400V) A	Voltage V	Flow rate (at 400V) A		
R409.2 - ... KM	0,37	50 / 60	220 - 240 / 380 - 420	1,06	220 - 280 / 380 - 480	1,1	F	55

# Dimensions R409.2 KM



All dimensions in mm	G		S				D					C	L	K	B
	Connecting thread suction-/ pressure valve	Single valves PVC	Single valves ..FRP PK (PP-FRP / PVDF-FRP)	Double valves ..FRP PK (PP-FRP / PVDF-FRP)	Double valves 1.4571 / 1.4581	Chamber valves PVC	Single valves PVC	Single valves ..FRP PK (PP-FRP / PVDF-FRP)	Double valves ..FRP PK (PP-FRP / PVDF-FRP)	Double valves 1.4571 / 1.4581	Chamber valves PVC	Distance mounting flange to valve center	Total length max.	Pump body Radius	Width max.
R409.2 - 7,5 KM R409.2 - 10 KM R409.2 - 12 KM R409.2 - 18 KM	G 3/4	-	-	83	84	88	-	-	83	84	88	134	360	57,5	190
R409.2 - 30 KM R409.2 - 45 KM	G 3/4	97	-	83	95	-	104	-	83	95	-	188	412	69	210
R409.2 - 70 KM R409.2 - 95 KM R409.2 - 130 KM R409.2 - 190 KM	G 3/4	97	83	-	95	-	104	83	-	95	-	188	412	69	210