

Piston diaphragm pumps R410.2 KM



Type	Nominal capacity* l/h QN 50 Hz	Nominal capacity* l/h QN 60 Hz	Nominal capacity* l/h QN 50 Hz	Nominal capacity* l/h QN 60 Hz	max. counter pressure p ₂ max.	max. suction height	permissible pressure at inlet of pump min./max. bar
	QN bei p ₂ max.		QN bei p ₂ max./2				
R410.2 - 30 KM	0 - 30	0 - 36	0 - 30	0 - 36	80 bar	2	-0,2/0
R410.2 - 38 KM	0 - 38	0 - 45	0 - 38	0 - 46	80 bar	2	-0,2/0
R410.2 - 60 KM	0 - 60	0 - 72	0 - 62	0 - 74	70 bar	2	-0,2/0
R410.2 - 76 KM	0 - 76	0 - 90	0 - 80	0 - 96	70 bar	2	-0,2/0
R410.2 - 120 KM	0 - 120	0 - 144	0 - 126	0 - 151	40 bar	3	-0,3/0
R410.2 - 150 KM	0 - 150	0 - 180	0 - 160	0 - 192	40 bar	3	-0,3/0
R410.2 - 250 KM	0 - 250	0 - 300	0 - 260	0 - 312	20 bar	3	-0,3/0
R410.2 - 310 KM	0 - 310	0 - 372	0 - 320	0 - 384	20 bar	3	-0,3/0
R410.2 - 400 KM	0 - 400	0 - 480	0 - 420	0 - 504	14 bar	3	-0,3/0
R410.2 - 510 KM	0 - 510	—	0 - 530	—	14 bar	3	-0,3/0
R410.2 - 700 KM	0 - 700	—	0 - 720	—	11 bar	3	-0,3/0
R410.2 - 850 KM	0 - 850	0 - 1020	0 - 870	0 - 1044	8 bar	3	-0,3/0

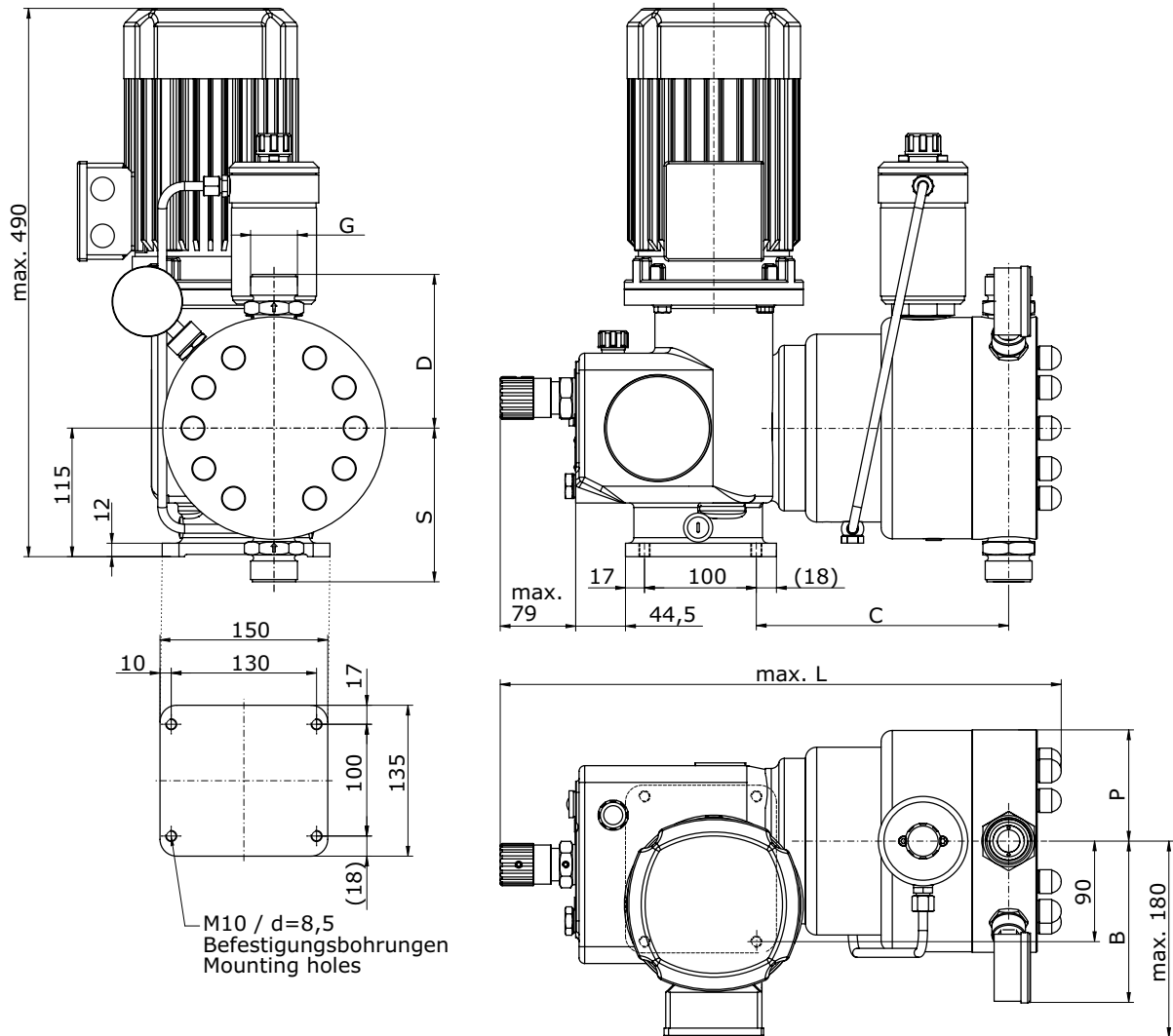
Type	Inlet/Outlet nominal width DN	Nominal stroke frequency 50 Hz	Nominal stroke frequency 60 Hz	max. stroke length mm	Conveying capacity per Hub ml/Hub	Motor drive kW	Weight** ca. kg
		min-1	min-1				
R410.2 - 30 KM	10	76	91	10	6,5	0,75	35
R410.2 - 38 KM	10	97	116	10	6,5	0,75	35
R410.2 - 60 KM	10	76	91	10	13,5	0,75	35
R410.2 - 76 KM	10	97	116	10	13,5	0,75	35
R410.2 - 120 KM	10	76	91	10	27,5	1,5	46
R410.2 - 150 KM	10	97	116	10	27,5	1,5	46
R410.2 - 250 KM	15	76	91	10	57,0	1,5	46
R410.2 - 310 KM	15	97	116	10	55,0	1,5	46
R410.2 - 400 KM	15	76	91	10	92,1	1,5	46
R410.2 - 510 KM	15	97	116	10	91,1	1,5	46
R410.2 - 700 KM	20	97	116	10	123,7	1,5	62
R410.2 - 850 KM	20	76	91	10	190,8	1,5	62

* Linearity acc. to TA-102

Pumpenkörper und Ventile aus Kunststoff nur bis max. 10 bar (bei 25°C) einsetzbar.

Motor data

Pump type	Motor drive kW	Frequency Hz	50 Hz		60 Hz		Isolation class ISO	Protection class IP
			Voltage V	Nominal current (bei 400V) A	Voltage V	Nominal current (bei 400V) A		
R410.2 - 30...76 KM	0,75	50 / 60	220 - 240/ 380 - 420	2,03	220 - 280/ 380 - 480	2,0	F	55
R410.2 - 120...850 KM	1,5	50 / 60	220 - 240/ 380 - 420	3,52	220 - 240/ 380 - 420	3,7	F	55



All Dimensions in mm	G		S				D				C	L	P	B	
	Anschlussgewinde Saug-/Druckventil	Single valves PVC	Single valves 1.4571/ 1.4581	Double valves 1.4571/ 1.4581	Single valves PP-FRP/ PVDF-FRP	Double valves PP-FRP/ PVDF-FRP	Single valves PVC	Single valves 1.4571/ 1.4581	Double valves 1.4571/ 1.4581	Single valves PP-FRP/ PVDF-FRP	Double valves PP-FRP/ PVDF-FRP	Abstand Befestigungsflansch zu Ventilmitte	Total length max.	Pump body Radius	Width max.
R410.2 - 30 KM R410.2 - 38 KM	G 3/4	97	-	95	-	94	104	-	95	-	94	218	495	69	141
R410.2 - 60 KM R410.2 - 76 KM	G 3/4	97	-	95	94	-	104	-	95	94	-	218	495	69	141
R410.2 - 120 KM R410.2 - 150 KM R410.2 - 250 KM R410.2 - 310 KM R410.2 - 400 KM R410.2 - 510 KM	G 1 1/4	-	138	-	138	-	-	138	-	138	-	242	529	100	163
R410.2 - 700 KM R410.2 - 850 KM	G 1	132	-	-	-	-	151	-	-	-	-	263	557	124	179