



BLAGDON

B15 & X15

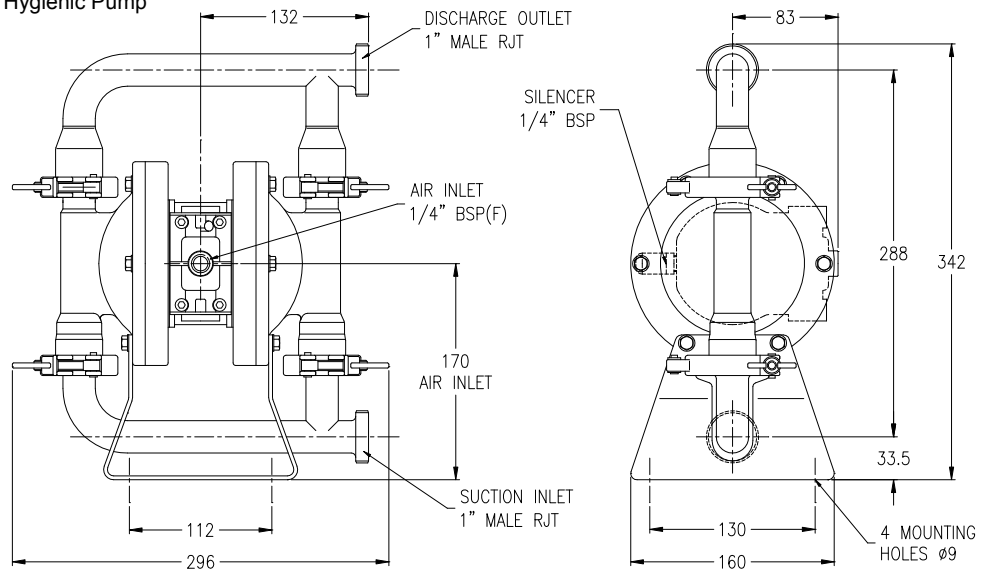
AIR OPERATED DOUBLE DIAPHRAGM PUMP

1/2" Hygienic Series

B15

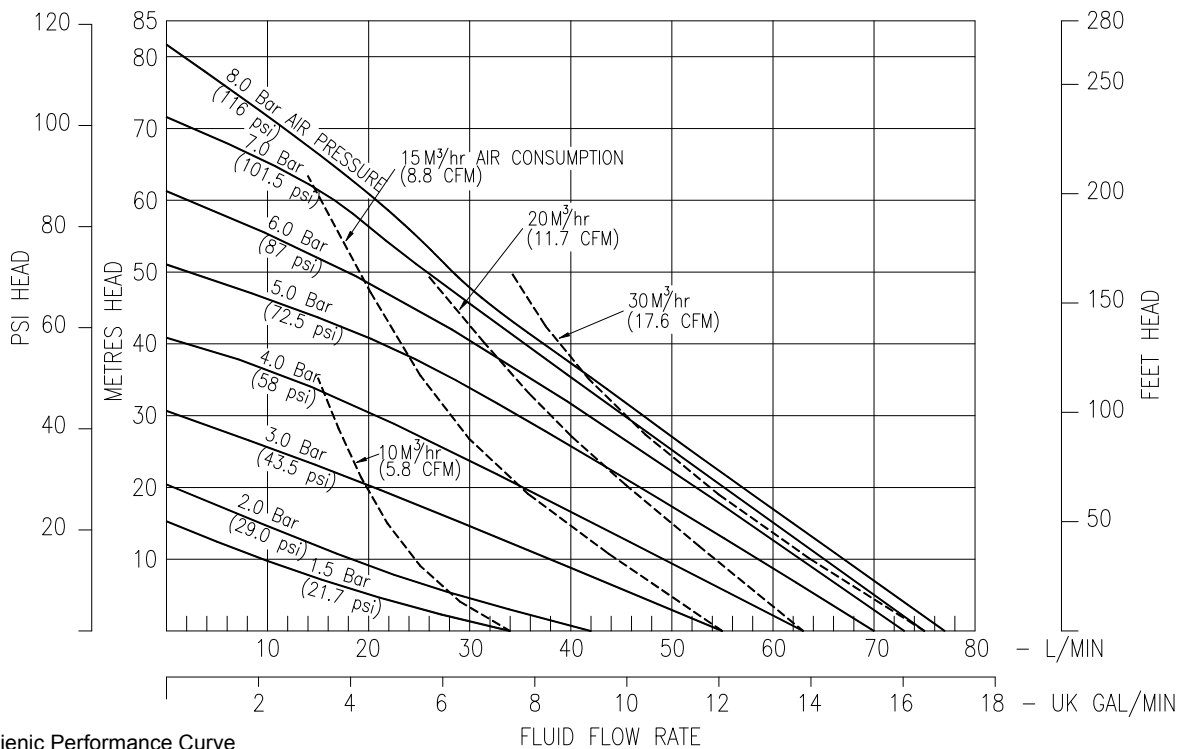
DIMENSIONS

General Assembly :- B15 Hygienic Pump
All dimensions +/- 3mm



B15

PERFORMANCE



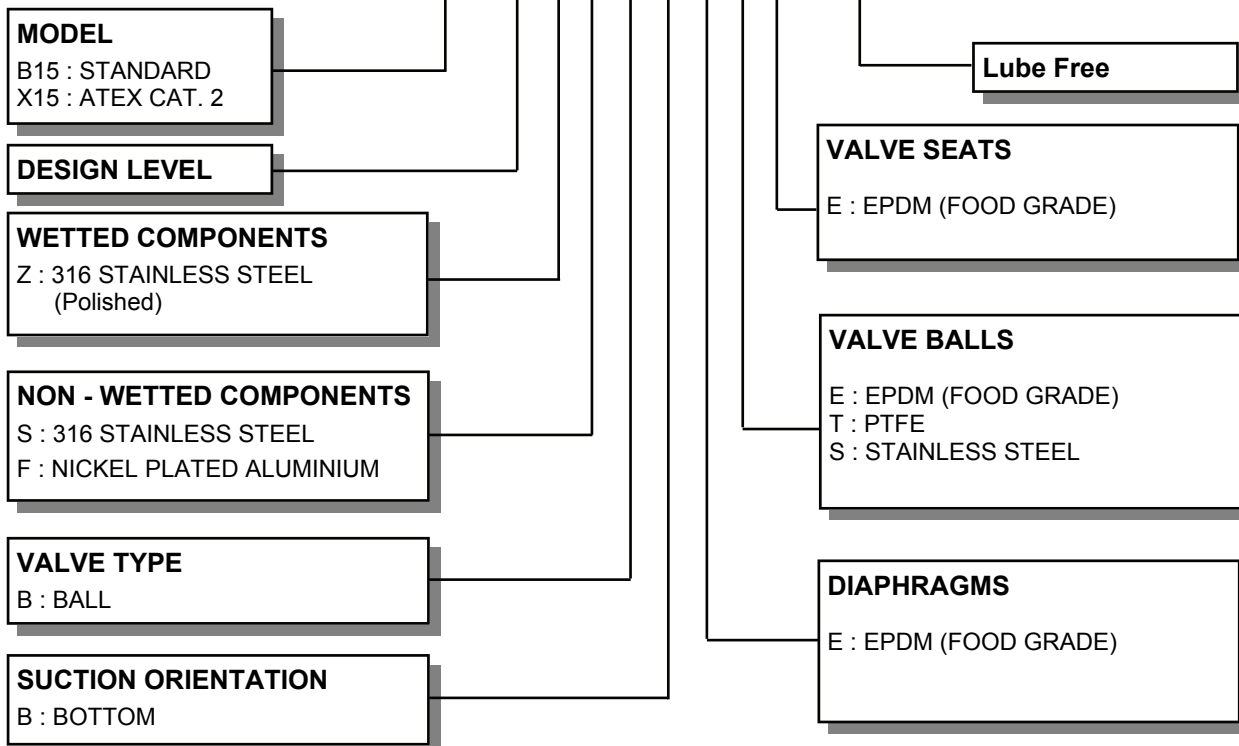
B15 Hygienic Performance Curve
Performance based on water at ambient temperature

FLUID CONNECTIONS 1" RJT Male	CAPACITY 0 - 60 Litres/Minute (0 - 13 Gallons/Minute)	MAX SOLIDS 3 MM (1/8")	MAX DISCHARGE HEAD 88 Meters (289 ft)	DISPLACEMENT/STROKE 0.075 Litres (0.02 UK Gallons)
MAX. WORKING PRESSURE 8.6 Bar (125 psi)	AIR INLET 1/4" BSP (F)	TEMPERATURE LIMITS Determined by Elastomers		PUMP WEIGHTS :- 10.5 Kg

Materials	Operating Temperatures		
	Maximum	Minimum	Optimum
EPDM - Shows very good water and chemical resistance. Has poor resistance to oils and solvents, but is fair on ketones and alcohols.	212°F 100°C	-11°F -24°C	50° to 212°F 10° to 100°C
PTFE - Chemically inert, virtually impervious. Very few chemicals are known to react chemically with PTFE : molten alkali metals, turbulent liquid or gaseous fluorine and a few fluoro-chemicals such as chlorine trifluoride or oxygen difluoride which readily liberate free fluorine at elevated temperatures.	356°F 180°C	32°F 0°C	50° to 212°F 10° to 100°C

- Gentle pumping action to avoid damage to food and beverage products.
- Range of RJT/DIN/FERRULE connections.
- Self priming for emptying containers.
- Food grade elastomers – EPDM / PTFE
- Pressures to 8.6 bar.
- Capable of handling high viscosity & SG fluids.
- Certified CIP cleanable.
- EU Design approval
- 316L Stainless Steel

TYPICAL CODE = B15. 01. Z F. B B. E E E - L F



IMPORTANT
This pump should be used in accordance with the requirements of the Safety, Health & Welfare at Work Act 2005.
All business conducted subject to IDEX Pump Technologies, Ireland. Terms and Conditions of Sale, available on request.



Pol. Ind. Aurrera, Pab. / bis - Mod. 3 48510
TRÁPAGA (Bizkaia)
Tel.: 944 723 104
Fax.: 944 955 594
rona@ronadosificacion.es