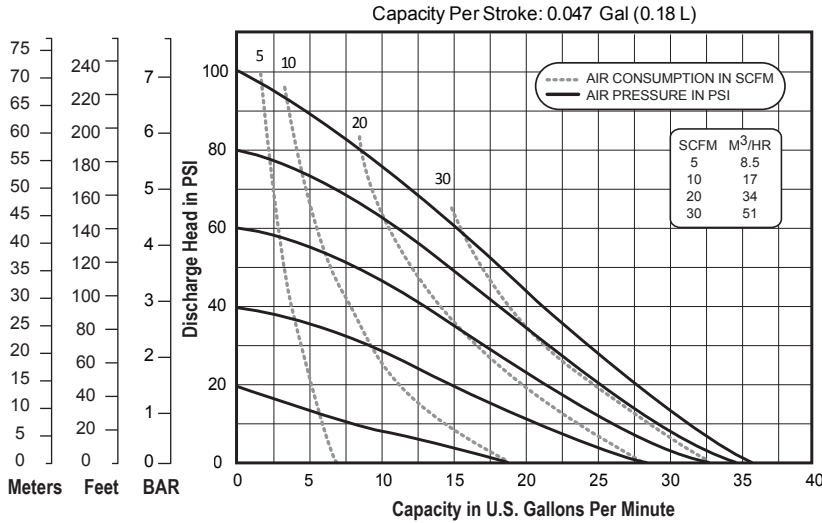


E1 DATA SHEET

SPECIFICATIONS & PERFORMANCE

1" Bolted Plastic with Plastic Center Section

PERFORMANCE



NOTE: Performance based on the following: elastomeric fitted pump, flooded suction, water at ambient conditions. The use of other materials and varying hydraulic conditions may result in deviations in excess of 5%.

SPECIFICATIONS

Flow Rate

Adjustable to 0-43 gpm (162.8 LPM)

Port Size

Suction 1" 150# ANSI/DIN 325 Flange

Discharge 1" 150# ANSI/DIN 325 Flange

Air Inlet 3/8" NPT

Air Exhaust 1/2" NPT

Suction Lift

Dry 11' (3.4 m)

Wet 31' (9.4 m)

Max Solid Size (Diameter)

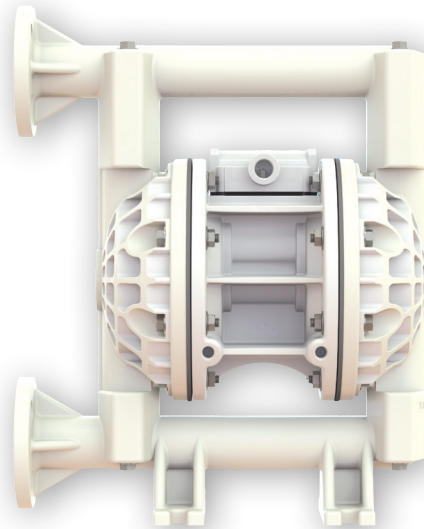
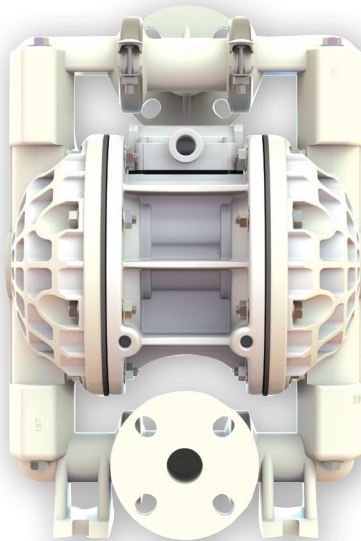
. 1/8" (3.1 mm)

Max Noise Level 94 dB(A)

Shipping Weights

Polypropylene 17 lbs (7.7 kg)

PVDF 22 lbs (10 kg)



VERSAMATIC[®]

VERSAMATIC.COM

Warren Rupp, Inc. | A Unit of IDEX Corporation

©Copyright 2019 Warren Rupp, Inc. All Rights Reserved.

e1nmdlCds-rev0519



Agitación
Dosificación
Bombeo

ronadosificacion.es

E1 DATA SHEET

SPECIFICATIONS & PERFORMANCE

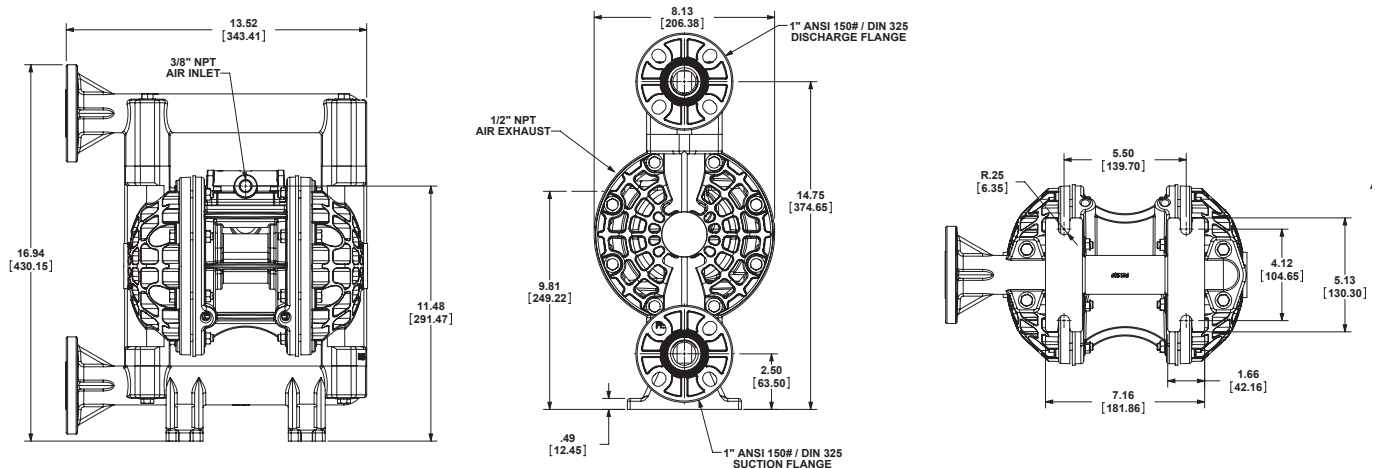
1" Bolted Plastic with Plastic Center Section

DIMENSIONS

E1 Bolted Plastic

Dimensions in inches (mm dimensions in brackets)

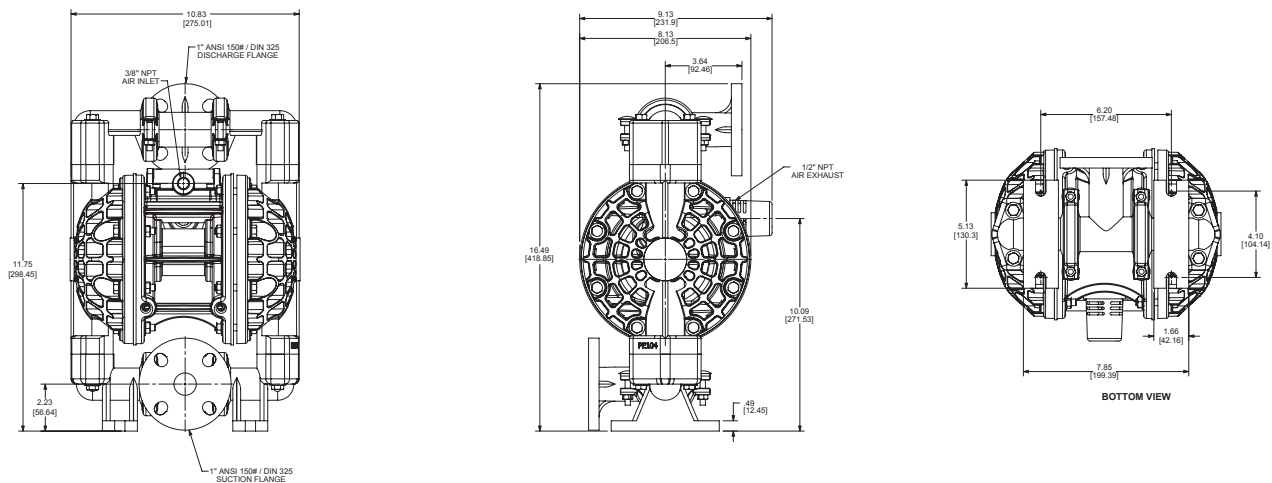
The dimensions on this drawing are for reference only. A certified drawing can be requested if physical dimensions are needed.



E1 Bolted Plastic (Center Ported Manifold Option)

Dimensions in inches (mm dimensions in brackets)

The dimensions on this drawing are for reference only. A certified drawing can be requested if physical dimensions are needed.



VERSAMATIC[®]

VERSAMATIC.COM

Warren Rupp, Inc. | A Unit of IDEX Corporation

©Copyright 2019 Warren Rupp, Inc. All Rights Reserved.

e1nmdlCds-rev0519



Agitación
Dosificación
Bombeo

ronadosificacion.es