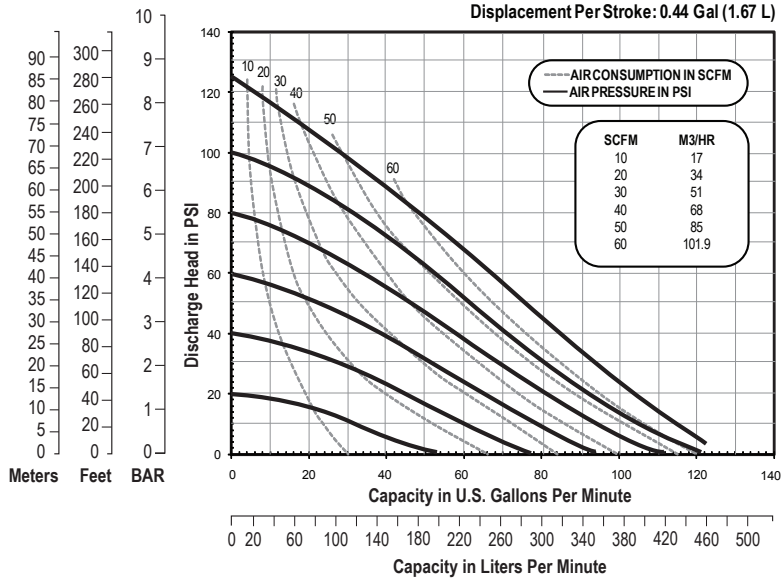


E40 DATA SHEET

SPECIFICATIONS & PERFORMANCE

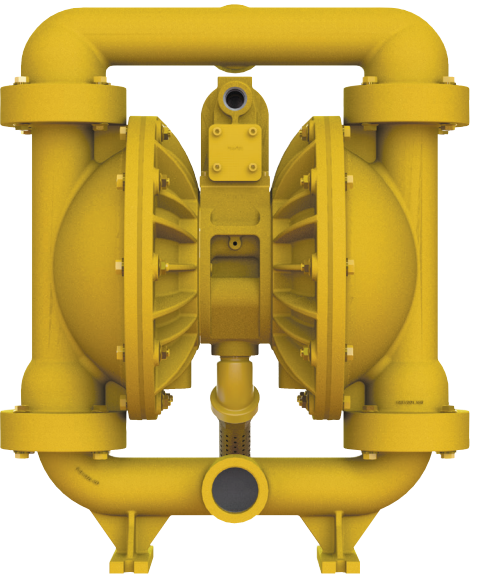
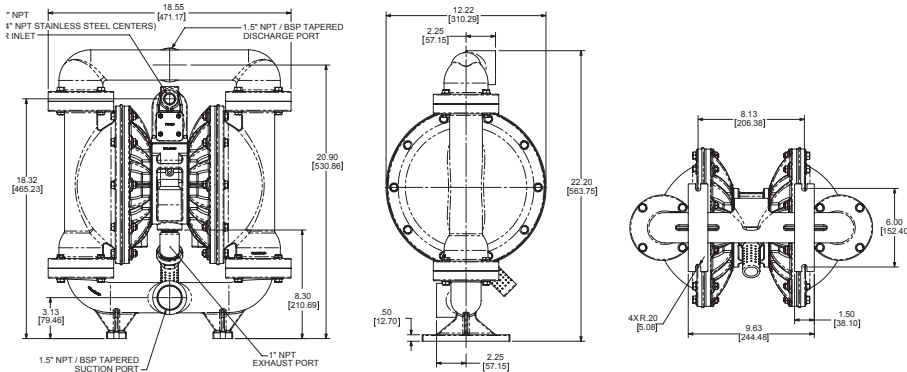
1 1/2" Bolted Metal with Metal Center Sections

PERFORMANCE



NOTE: Performance based on the following: elastomeric fitted pump, flooded suction, water at ambient conditions. The use of other materials and varying hydraulic conditions may result in deviations in excess of 5%.

DIMENSIONS



SPECIFICATIONS

Flow Rate

Adjustable to . . . 0-123 gpm (465 lpm)

Port Size

Suction 1 1/2" (38.1mm) NPT/BSP

Discharge . . 1 1/2" (38.1mm) NPT/BSP

Air Inlet 1/2" NPT

Air Exhaust 1" NPT

Suction Lift

Dry 19' (5.8 m)

Wet 31' (9.4 m)

Max Solid Size (Diameter)

. 1/4" (6 mm)

Max Noise Level 101 dB(A)

Shipping Weights

Aluminum 55 lbs (25 kg)

Cast Iron 95 lbs (43 kg)

Stainless Steel 92 lbs (42 kg)

**w/ Stainless Center add 21 lbs (9.5 kg)



VERSAMATIC

VERSAMATIC.COM

Warren Rupp, Inc. | A Unit of IDEX Corporation

©Copyright 2019 Warren Rupp, Inc. All Rights Reserved.

e40mdlCdsATEX-rev0519



Agitación
Dosificación
Bombeo

ronadosificacion.es