

### Technical specifications

- Flow rate: 10 ÷ 120 l/h
- Max pressure: 5 bar
- Motor:
  - 0.06 kW - 3ph (IP55)
  - 0.06 kW - 1ph (IP55)
- Stroke rate: from 26 to 144 stroke /minute
- Stroke length: 4.2 - 5 - 6.8 mm
- Diaphragm diameter: 70mm
- Pump head:
  - SS 316
  - PVDF
- Max temperature:
  - SS 316 40°C
  - PVDF 40°C
- Ambient dosing temperature:
  - +5 ÷ +45 °C
- Stocking temperature:
  - -10 ÷ +50 °C

MSV Series is a new motor driven mechanical diaphragm pump featuring a vertically mounted, high efficiency, high performing motor, within a PVC housing. Enhanced by its dual cam mechanical structure, the pump features high levels of stability whilst remaining a low noise unit and offering a very precise flow rate.

Suitable for a wide range of uses, it offers a high level of repetitive accuracy and is capable of pumping a wide range of viscous liquids, slurries or chemicals.

The MSV series electric motor drives pump mechanism's plunger backwards and forwards, drawing the membrane and creating suction from the supply chamber. The resulting volume change in the pump chamber in turn pushes the ball up and generates a squeezing action to effect fluid transfer.

The flow rate of between 10÷120 l/h can be adjusted by regulating the stroke length.

MSV Pump offers the following key features designed to ensure efficient, long term reliable pumping and fluid transfer:

- Reduced Footprint – to make installation easier
- Robust plastic outer case – ensures ease of installation and durability
- Simple but robust construction – provide ideal value for money
- High efficiency motor 0.06 kw with high flow rate 10÷120 l/h

# DOSING PUMP

## MSV SERIES – Mechanical diaphragm pump



### PUMP KEY CODE

Field 1	Field 2	Field 3	Field 4	Field 5	Field 6	Field 7	Field 8	Field 9	Field 10
M	SV	F	070	R	41	XT	0	0	0

Field 1	model	←
Field 2	mechanism family	←
Field 3	stroke length	←
Field 4	diaphragm diameter	←
Field 5	stroke rate	←
Field 6	pump head material	←
Field 7	electric motor type	←
Field 8	stroke regulation	←
Field 9	customization	←
Field 10	optional	←

Field 1	model	M	Diaphragm
---------	-------	---	-----------

Field 2	mechanism family	SV	Membrane
---------	------------------	----	----------

Field 3	stroke length	[mm]
	I	4,2
	F	5
	H	6,8

Field 4	diaphragm diameter	[mm]
	070	70

Field 5	stroke rate	stroke/1' (@ 50 Hz)
	M	130
	N	86
	O	43
	P	26
	R	144

Field 6	pump head material	head	diaphragm	O-Ring
	21	SS316	PTFE	FPM
	24			EPDM
	41	PVDF		FPM
	44			EPDM

Field 7	electric motor type	XT	0,06 kW (4 poles - 3phases - 380 Vac - 50/60 Hz)
		XD	0,06 kW (4 poles - 1phase - 220 Vac - 50 Hz)

Field 8	optional	0	standard
---------	----------	---	----------

Field 9	customization	0	Standard
---------	---------------	---	----------

Field 10	optional	0	Standard
----------	----------	---	----------

# DOSING PUMP

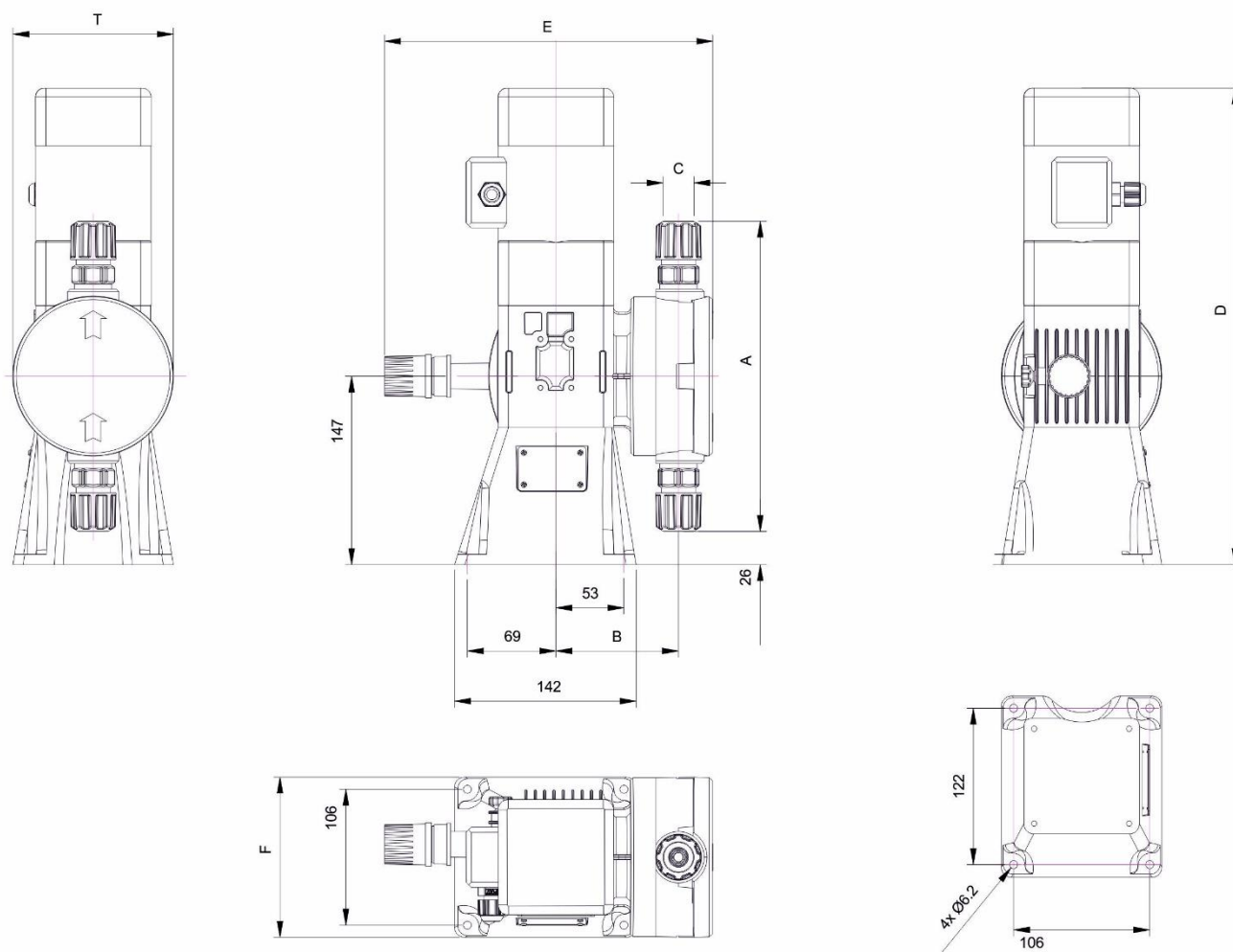
## MSV SERIES – Mechanical diaphragm pump



### HYDRAULIC CHARACTERISTICS

Pump Model	Diaphragm Diameter [mm]	Stroke/min @ 50 Hz	Flow rate @ 50 Hz		Max back pressure		Suction/Discharge Connection		Electric Motor  3ph – 380 Vac 1ph – 220 Vac
			l/h	g/l/h	bar	p.s.i.	SS 316	PVDF	
					SS 316 / PVDF	SS 316 / PVDF			
M S V I 0 7 0 P	70	26	10	23.78	5	72.52	3/8" g/f	8 x 12	0.06 kW – 4 poles
M S V I 0 7 0 O		43	20	23.78	5	72.52			
M S V I 0 7 0 N		86	40	23.78	5	72.52			
M S V I 0 7 0 M		130	60	23.78	5	72.52			
M S V F 0 7 0 R		144	90	23.78	5	72.52			
M S V H 0 7 0 R		144	120	31.7	3	43.51			

### DIMENSIONS



A [mm]	B [mm]	C [BSP / mm]		T[mm]	Single / Three Phases motor		
		D[mm]	E [mm]		F [mm]		
242	93.5	AISI 316	1/2" g/f	372	372	256	125
		PVDF	8 x 12 (std)				

# DOSING PUMP

## MSV SERIES – Mechanical diaphragm pump

