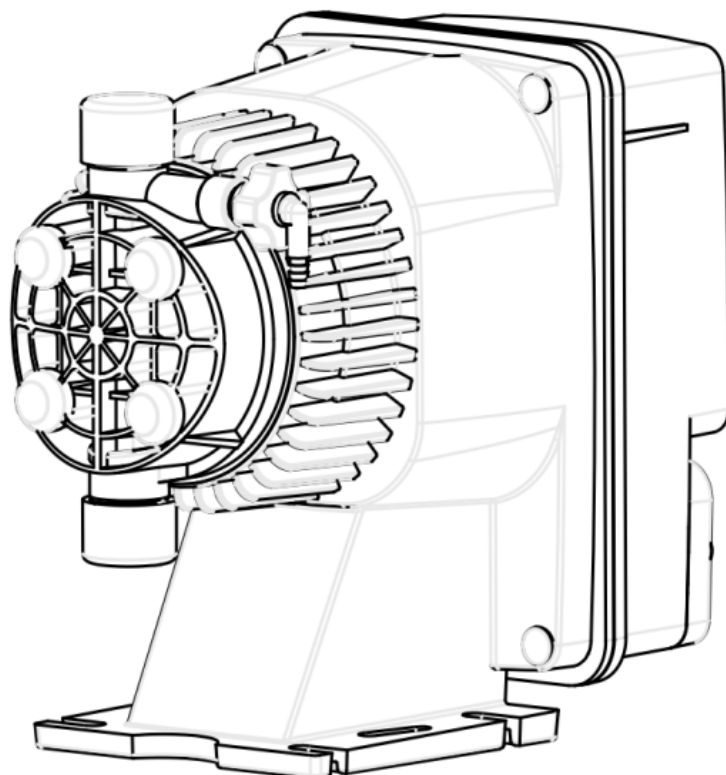


# DOSING PUMP

## TEKBA EMC SERIES – Solenoid Dosing Pump



### Technical characteristics

- Flow rates: from 2.5 to 110 l/h
- Max back pressure: up to 20 bar
- Power supply:
  - 100÷240 Vac - 50/60 Hz
- Stroke rate: from 120 to 300 strokes/minute
- Pump head: PVDF
- Diaphragm: PTFE
- External Enclosure: PP reinforced with fiber glass  
protection degree IP65
- Manually priming valve
- Stroke length manually adjustable

Seko Tekba EMC Series is a digital dosing pump with constant flow rate, which is manually adjustable by a keyboard (frequency) and a knob (stroke length) mounted on the rear panel, and proportional flow rate to an external digital input signal (water meter). With only 4 sizes that pump can cover a wide range of performances, having a flow rate range from 2.5 to 110 l/h and a back pressure from 0.1 to 20 bar. The power supply is 100÷240 Vac – 50/60 Hz therefore the same pump can operate with different supply voltage.

The standard pump head is in PVDF, therefore high chemical compatibility with several liquids end.

All Tekba series are equipped with a manually priming pump for the start up.

The pump is furnished with a complete standard installation kit, which includes: PVDF foot filter and injection valve, PVC suction tube, PE delivery tube

# DOSING PUMP

## TEKBA EMC SERIES – Solenoid Dosing Pump



### PUMP KEY CODE

Field 1	Field 2	Field 3	Field 4	Field 5	Field 6	Field 7	Field 8	Field 9	Field 10	Field 11
EMC	603	M	N	H	H	0	0	B	0	0

Field 1	model
Field 2	hydraulics
Field 3	stroke reg.
Field 4	power supply
Field 5	liquid end
Field 6	installation kit
Field 7	seals
Field 8	market
Field 9	color
Field 10	optional
Field 11	customization

Field 1	model	<b>Digital</b>
	<b>EMC</b>	Digital constant dosing with manual adjustment, and proportional dosing to a digital input signal (water meter). Prepared for level probe.

Field 2	hydraulics	bar	l/h	stroke/1'	ml/stroke	tubing Ø	consumption
	<b>600</b>	20	2,5	120	0,35	in 4/6 - out 4/7	19 W
	<b>603</b>	12	4	160	0,42	in - out 4/6	22 W
	<b>800</b>	16	7	300	0,39	in - out 4/6	33 W
	<b>803</b>	5	20	300	1,11	in - out 8/12	37 W

Field 3	str. length reg.	<b>M</b> standard	<b>mechanical</b>
---------	------------------	-------------------	-------------------

Field 4	power supply	<b>N</b> 100÷240 Vac
---------	--------------	----------------------

Field 5	liquid end	<b>Body</b>	<b>Connections</b>	<b>Balls</b>	<b>Diaphragm</b>
	<b>H</b>	PVDF	PVDF	Ceramic	PTFE

Field 6	installation kit	<b>H</b> PVDF
---------	------------------	---------------

Field 7	seals	<b>0</b> FPM	<b>1</b> EPDM
---------	-------	--------------	---------------

Field 8	market	<b>0</b> standard
---------	--------	-------------------

Field 9	colour	<b>B</b> standard	<b>electronic</b>	<b>hydraulic</b>
			<b>RAL5010</b>	<b>RAL7004</b>

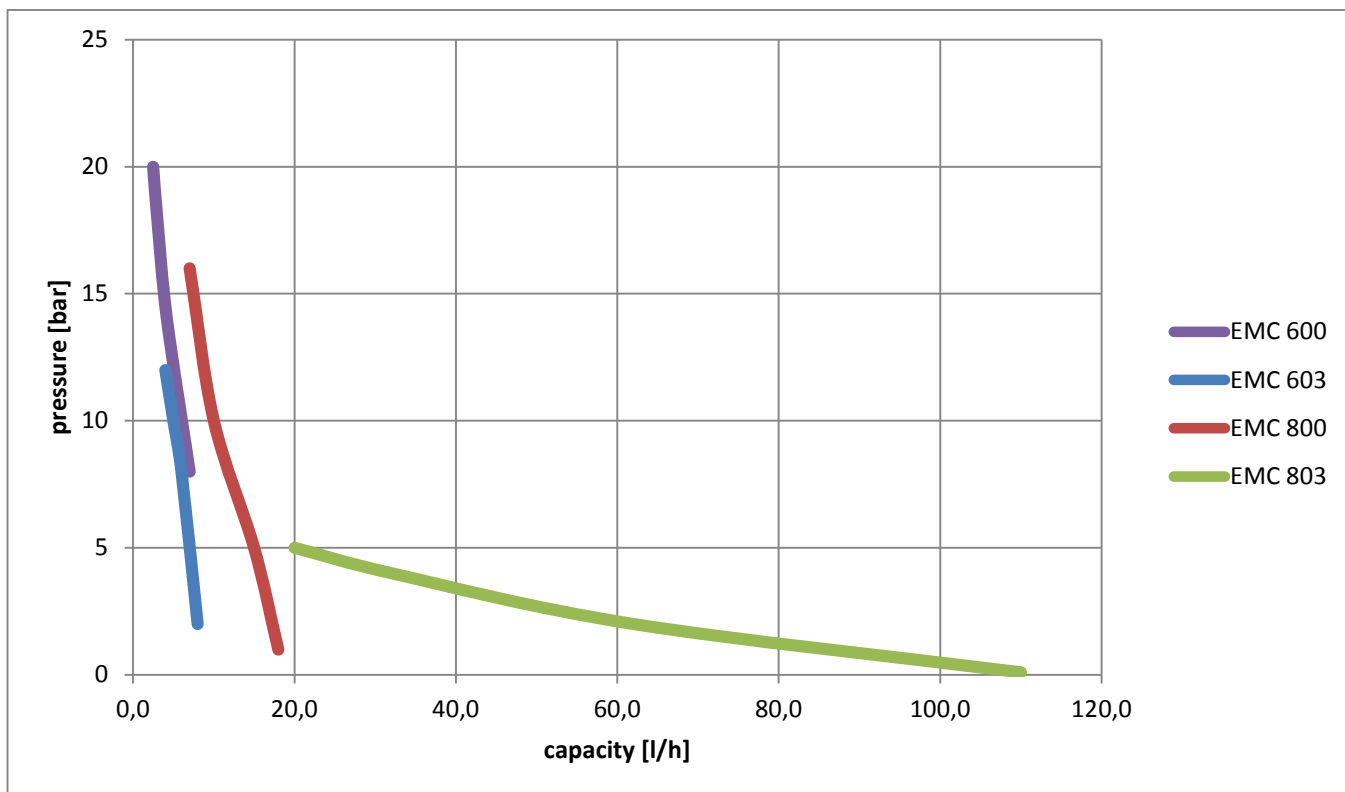
Field 10	optional	<b>0</b> standard
----------	----------	-------------------

Field 11	customization	<b>0</b> standard
----------	---------------	-------------------

### HYDRAULIC CHARACTERISTICS

Pump Model	Pressure [bar]	Flow Rate [l/h]	Frequency max [stroke/min]	Stroke capacity [cc/stroke]	Connection [mm]		Power supply	Consumption [W]	
					Suction	Discharge		Min	Max
EMC 600	20	2,5	120	0,35	4/6	4/7	100÷240 Vac	14,0	19,0
	18	3,0		0,42					
	14	4,2		0,58					
	8	7,0		0,97					
EMC 603	12	4,0	160	0,42	4/6	4/6	100÷240 Vac	17,0	22,0
	10	5,0		0,52					
	8	6,0		0,63					
	2	8,0		0,83					
EMC 800	16	7,0	300	0,39	4/6	4/6	100÷240 Vac	22,0	33,0
	10	10,0		0,56					
	5	15,0		0,83					
	1	18,0		1					
EMC 803	5	20,0	300	1,11	8/12	8/12	100÷240 Vac	29,0	37,0
	4	32,0		1,78					
	2	62,0		3,44					
	0,1	110,0		6,11					

\*Minimum consumption at 0 bar of back pressure (Patented)

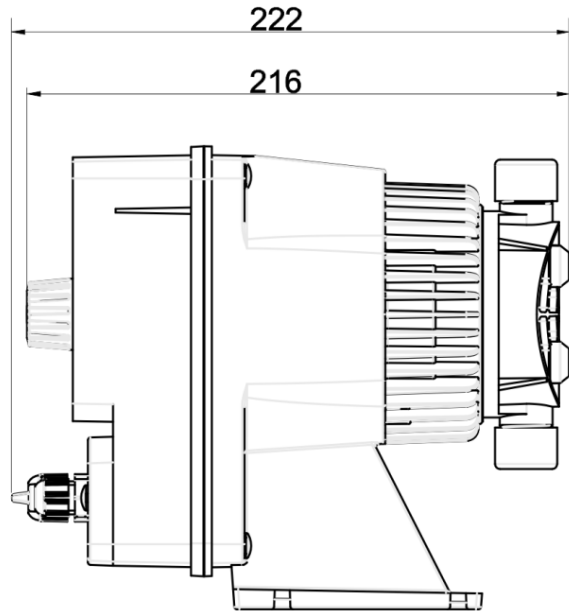
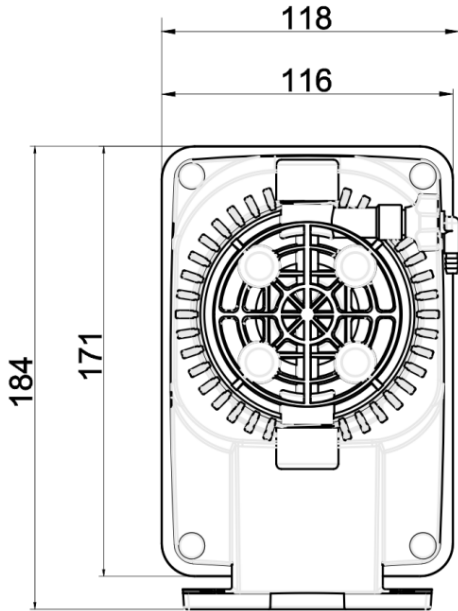


# DOSING PUMP

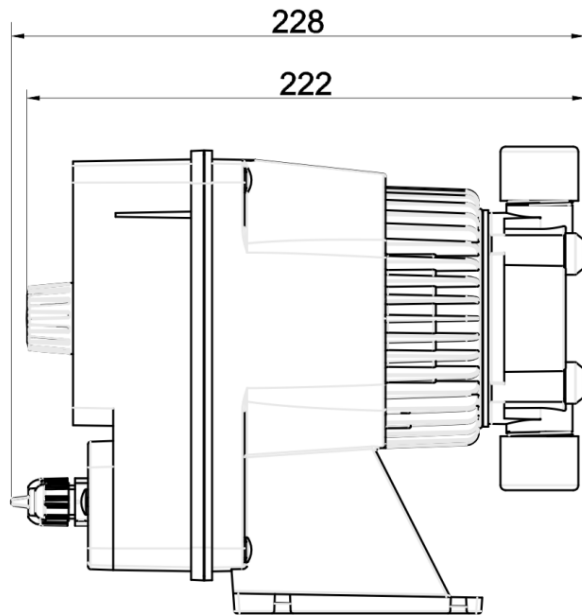
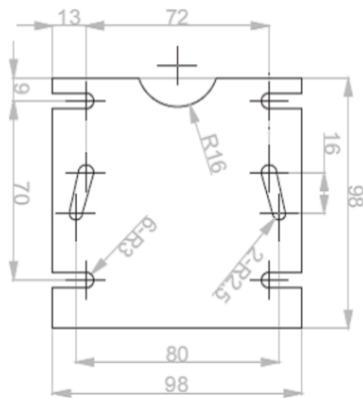
## TEKBA EMC SERIES – Solenoid Dosing Pump



### DIMENSIONS



mod. 600 - 603 - 800



mod. 803

### INSTALLATION KIT

### PVDF

PVDF foot filter	•
PVDF injection valve	•
PVC suction tube (4 m)	•
PE delivery tube (2 m)	•



Agitación  
Dosificación  
Bombeo