

### Technical characteristics

- Flow rates: from 2.5 to 110 l/h
- Max back pressure: up to 20 bar
- Power supply:
  - 100÷240 Vac - 50/60 Hz
- Stroke rate: from 120 to 300 strokes/minute
- Pump head: PVDF
- Diaphragm: PTFE
- External Enclosure: PP reinforced with fiber glass  
protection degree IP65
- Manually priming valve
- Stroke length manually adjustable

Seko Tekba EML Series is a digital dosing pump with constant flow rate, which is manually adjustable by a keyboard (frequency) and a knob (stroke length) mounted on the rear panel.

With only 4 sizes that pump can cover a wide range of performances, having a flow rate range from 2.5 to 110 l/h and a back pressure from 0.1 to 20 bar. The power supply is 100÷240 Vac – 50/60 Hz therefore the same pump can operate with different supply voltage.

The standard pump head is in PVDF, therefore high chemical compatibility with several liquids end.

All Tekba series are equipped with a manually priming pump for the start up.

The pump is furnished with a complete standard installation kit, which includes: PVDF foot filter and injection valve, PVC suction tube, PE delivery tube.

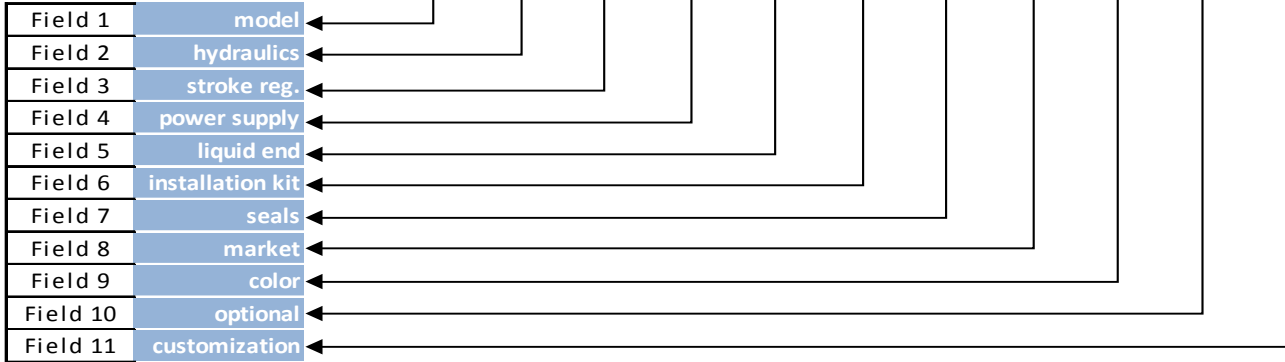
# DOSING PUMP

## TEKBA EML SERIES – Solenoid Dosing Pump



### PUMP KEY CODE

Field 1	Field 2	Field 3	Field 4	Field 5	Field 6	Field 7	Field 8	Field 9	Field 10	Field 11
EML	603	M	N	H	H	0	0	B	0	0



Field 1	<b>model</b>	<b>Digital</b>
	EML	Digital constant dosing with manual adjustment. Prepared for level probe.

Field 2	<b>hydraulics</b>	<b>bar</b>	<b>l/h</b>	<b>stroke/1'</b>	<b>ml/stroke</b>	<b>tubing Ø</b>	<b>consumption</b>
	600	20	2,5	120	0,35	in 4/6 - out 4/7	19 W
	603	12	4	160	0,42	in - out 4/6	22 W
	800	16	7	300	0,39	in - out 4/6	33 W
	803	5	20	300	1,11	in - out 8/12	37 W

Field 3	<b>str. length reg.</b>	M standard	<b>mechanical</b>
---------	-------------------------	------------	-------------------

Field 4	<b>power supply</b>	N 100÷240 Vac
---------	---------------------	---------------

Field 5	<b>liquid end</b>	<b>Body</b>	<b>Connections</b>	<b>Balls</b>	<b>Diaphragm</b>
	H	PVDF	PVDF	Ceramic	PTFE

Field 6	<b>installation kit</b>	H PVDF
---------	-------------------------	--------

Field 7	<b>seals</b>	0 FPM	1 EPDM
---------	--------------	-------	--------

Field 8	<b>market</b>	0 standard
---------	---------------	------------

Field 9	<b>colour</b>	B standard	<b>electronic</b>	<b>hydraulic</b>
			RAL5010	RAL7004

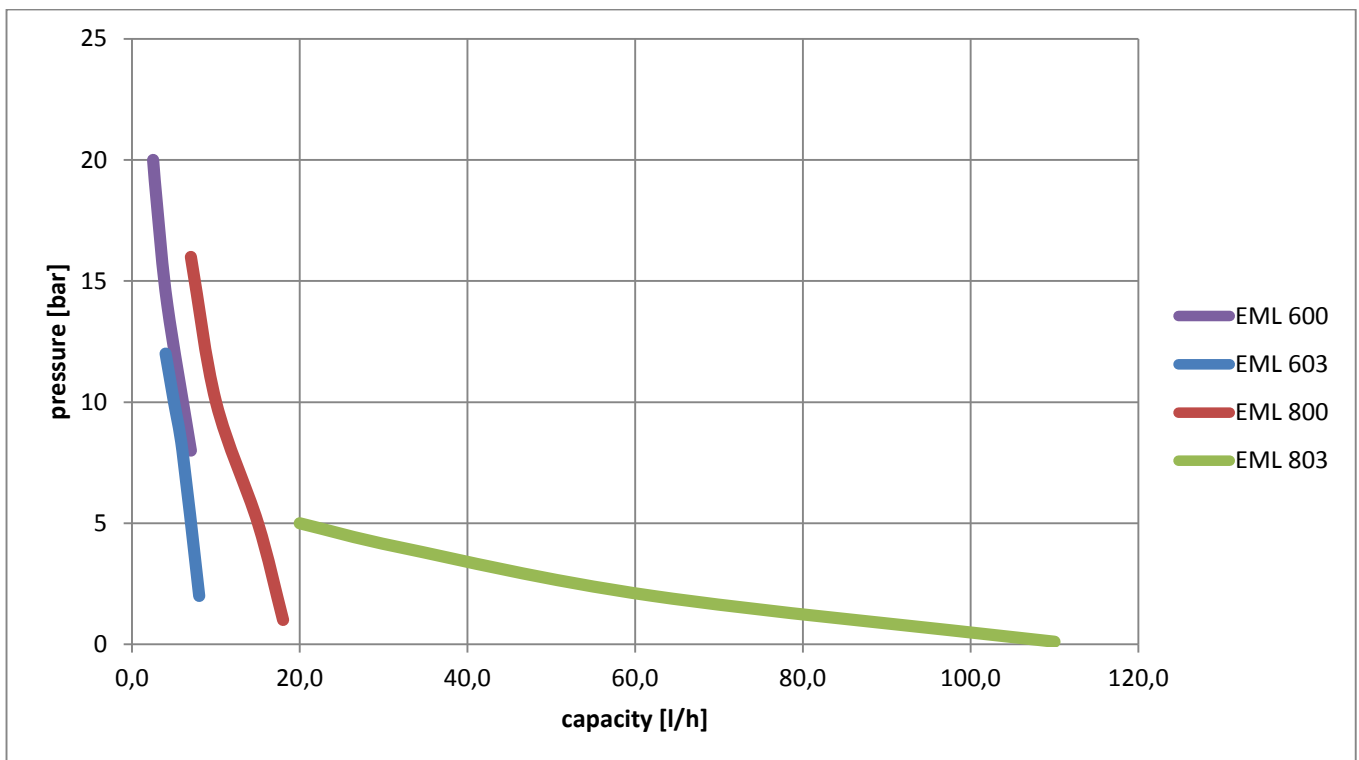
Field 10	<b>optional</b>	0 standard
----------	-----------------	------------

Field 11	<b>customization</b>	0 standard
----------	----------------------	------------

### HYDRAULIC CHARACTERISTICS

Pump Model	Pressure [bar]	Flow Rate [l/h]	Frequency max [stroke/min]	Stroke capacity [cc/stroke]	Connection [mm]		Power supply	Consumption [W]	
					Suction	Discharge		Min	Max
EML 600	20	2,5	120	0,35	4/6	4/7	100÷240 Vac	14,0	19,0
	18	3,0		0,42					
	14	4,2		0,58					
	8	7,0		0,97					
EML 603	12	4,0	160	0,42	4/6	4/6	100÷240 Vac	17,0	22,0
	10	5,0		0,52					
	8	6,0		0,63					
EML 800	16	7,0	300	0,39	4/6	4/6	100÷240 Vac	22,0	33,0
	10	10,0		0,56					
	5	15,0		0,83					
	1	18,0		1					
EML 803	5	20,0	300	1,11	8/12	8/12	100÷240 Vac	29,0	37,0
	4	32,0		1,78					
	2	62,0		3,44					
	0,1	110,0		6,11					

\*Minimum consumption at 0 bar of back pressure (Patented)

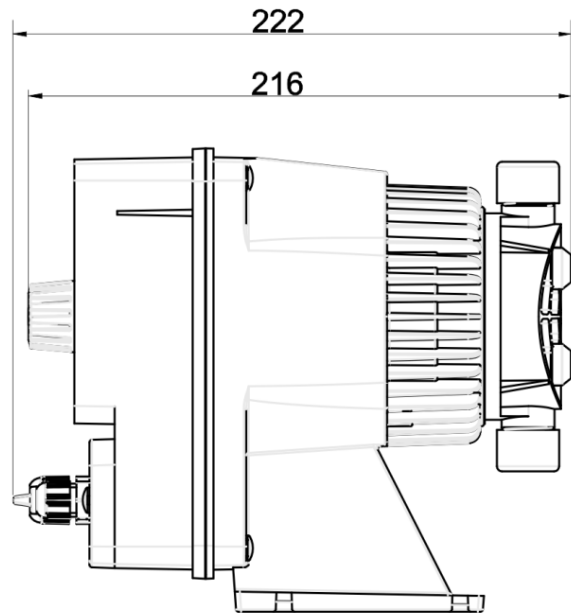
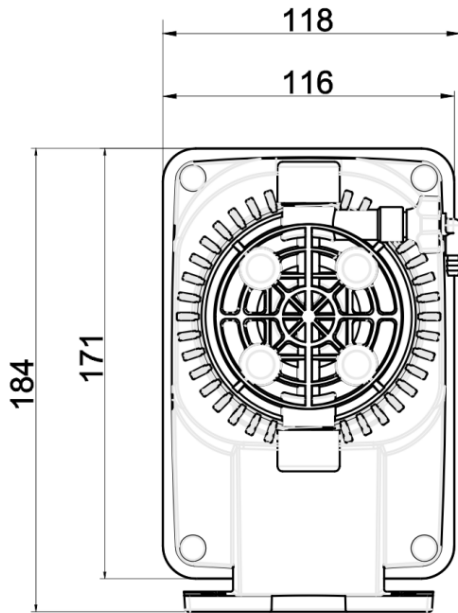


# DOSING PUMP

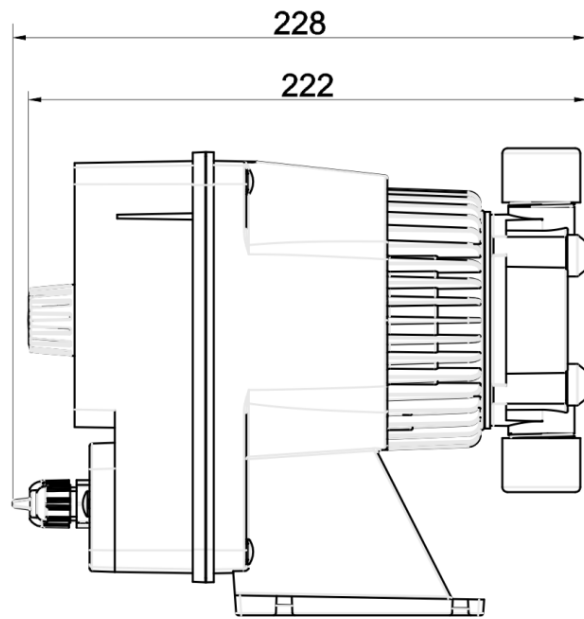
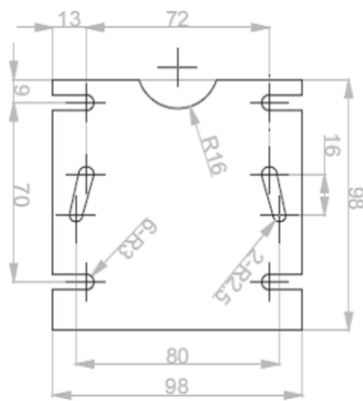
## TEKBA EML SERIES – Solenoid Dosing Pump



### DIMENSIONS



**mod. 600 - 603 - 800**



**mod. 803**

### INSTALLATION KIT

### PVDF

PVDF foot filter	•
PVDF injection valve	•
PVC suction tube (4 m)	•
PE delivery tube (2 m)	•



Agitación  
Dosificación  
Bombeo