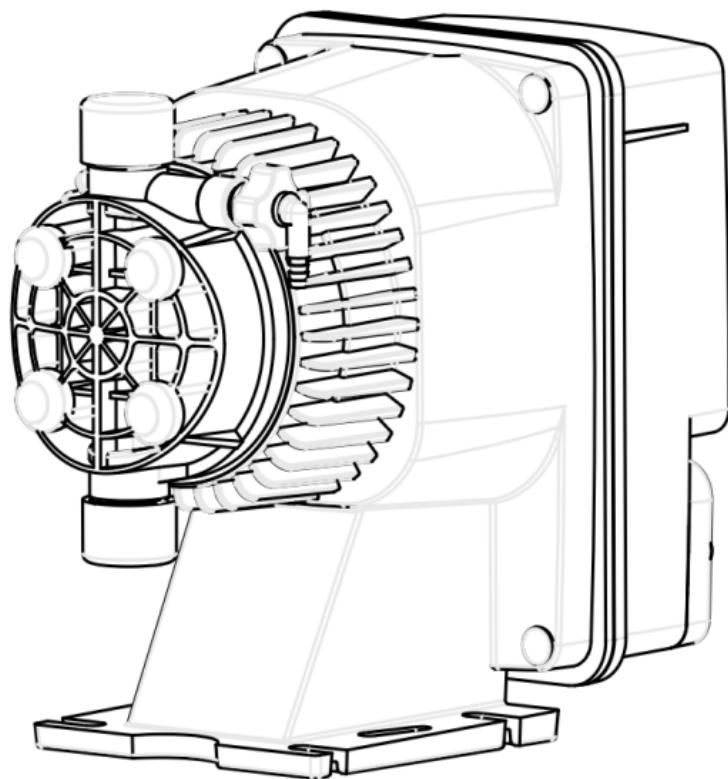


DOSING PUMP

TEKBA EMM SERIES – Solenoid Dosing Pump



Technical characteristics

- Flow rates: from 2.5 to 110 l/h
- Max back pressure: up to 20 bar
- Power supply:
 - 100÷240 Vac - 50/60 Hz
- Stroke rate: from 120 to 300 strokes/minute
- Pump head: PVDF
- Diaphragm: PTFE
- External Enclosure: PP reinforced with fiber glass
protection degree IP65
- Manually priming valve
- Stroke length manually adjustable

Seko Tekba EMM Series is a digital dosing pump with constant flow rate, which is manually adjustable by a keyboard (frequency) and a knob (stroke length) mounted on the rear panel, and proportional flow rate to an external analog input signal (4÷20 mA).

With only 4 sizes that pump can cover a wide range of performances, having a flow rate range from 2.5 to 110 l/h and a back pressure from 0.1 to 20 bar. The power supply is 100÷240 Vac – 50/60 Hz therefore the same pump can operate with different supply voltage.

The standard pump head is in PVDF, therefore high chemical compatibility with several liquids end.

All Tekba series are equipped with a manually priming pump for the start up.

The pump is furnished with a complete standard installation kit, which includes: PVDF foot filter and injection valve, PVC suction tube, PE delivery tube

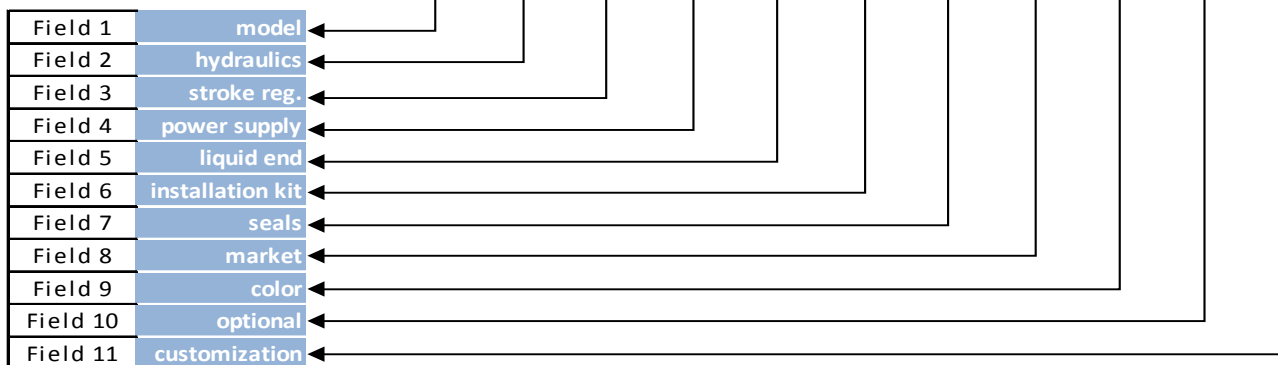
DOSING PUMP

TEKBA EMM SERIES – Solenoid Dosing Pump



PUMP KEY CODE

Field 1	Field 2	Field 3	Field 4	Field 5	Field 6	Field 7	Field 8	Field 9	Field 10	Field 11
EMM	603	M	N	H	H	0	0	B	0	0



Field 1	model	Digital
	EMM	Digital constant dosing with manual adjustment, and proportional dosing to an analog input signal (4÷20 mA). Prepared for level probe.

Field 2	hydraulics	bar	l/h	stroke/1'	ml/stroke	tubing Ø	consumption
	600	20	2,5	120	0,35	in 4/6 - out 4/7	19 W
	603	12	4	160	0,42	in - out 4/6	22 W
	800	16	7	300	0,39	in - out 4/6	33 W
	803	5	20	300	1,11	in - out 8/12	37 W

Field 3	str. length reg.	M standard	mechanical
---------	------------------	-------------------	-------------------

Field 4	power supply	N 100÷240 Vac
---------	--------------	----------------------

Field 5	liquid end	Body	Connections	Balls	Diaphragm
	H	PVDF	PVDF	Ceramic	PTFE

Field 6	installation kit	H PVDF
---------	------------------	---------------

Field 7	seals	0 FPM	1 EPDM
---------	-------	--------------	---------------

Field 8	market	0 standard
---------	--------	-------------------

Field 9	colour	B standard	electronic RAL5010	hydraulic RAL7004
---------	--------	-------------------	---------------------------	--------------------------

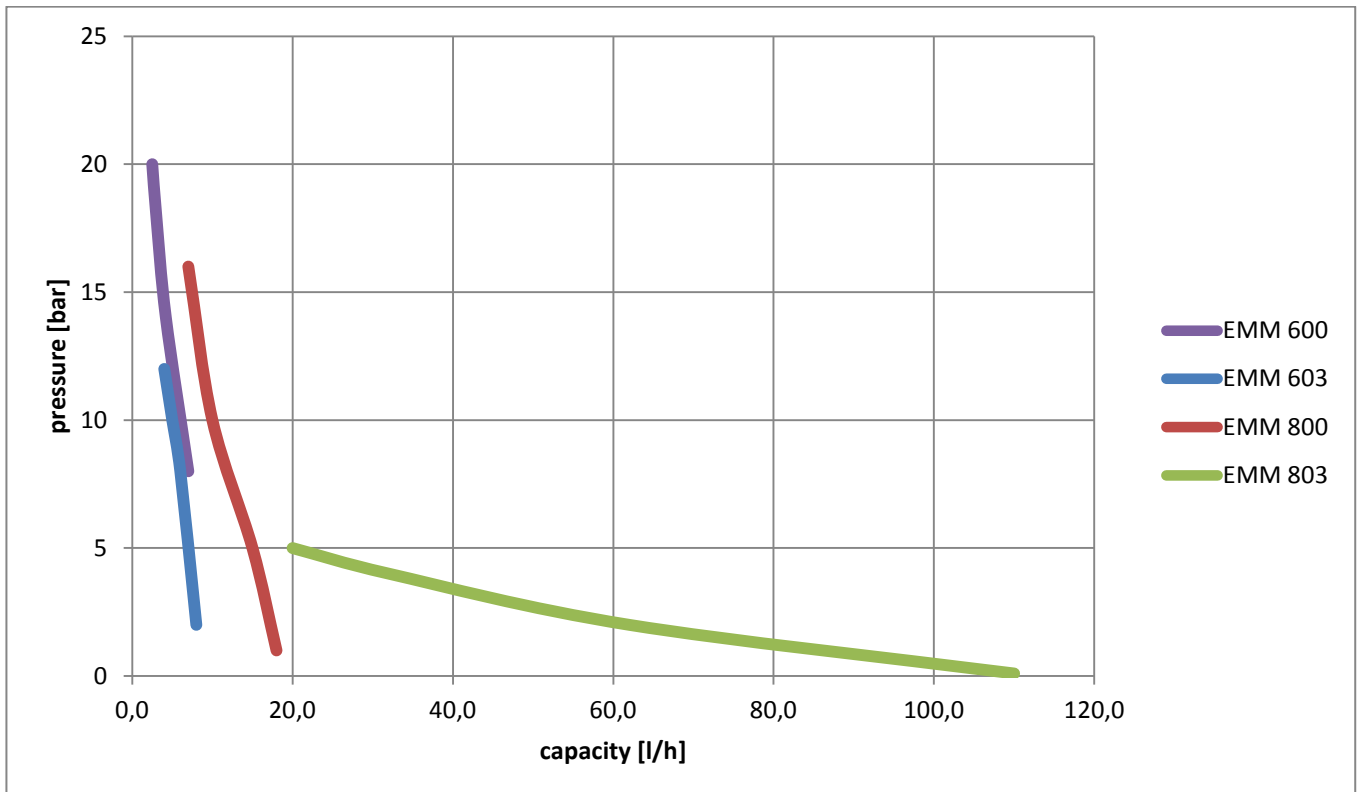
Field 10	optional	0 standard
----------	----------	-------------------

Field 11	customization	0 standard
----------	---------------	-------------------

HYDRAULIC CHARACTERISTICS

Pump Model	Pressure [bar]	Flow Rate [l/h]	Frequency max [stroke/min]	Stroke capacity [cc/stroke]	Connection [mm]		Power supply	Consumption [W]	
					Suction	Discharge		Min	Max
EMM 600	20	2,5	120	0,33	4/6	4/7	100÷240 Vac	14,0	19,0
	18	3,0		0,42					
	14	4,2		0,58					
	8	7,0		0,97					
EMM 603	12	4,0	160	0,42	4/6	4/6	100÷240 Vac	17,0	22,0
	10	5,0		0,52					
	8	6,0		0,63					
	2	8,0		0,83					
EMM 800	16	7,0	300	0,39	4/6	4/6	100÷240 Vac	22,0	33,0
	10	10,0		0,56					
	5	15,0		0,83					
	1	18,0		1					
EMM 803	5	20,0	300	1,11	8/12	8/12	100÷240 Vac	29,0	37,0
	4	32,0		1,78					
	2	62,0		3,44					
	0,1	110,0		6,11					

*Minimum consumption at 0 bar of back pressure (Patented)

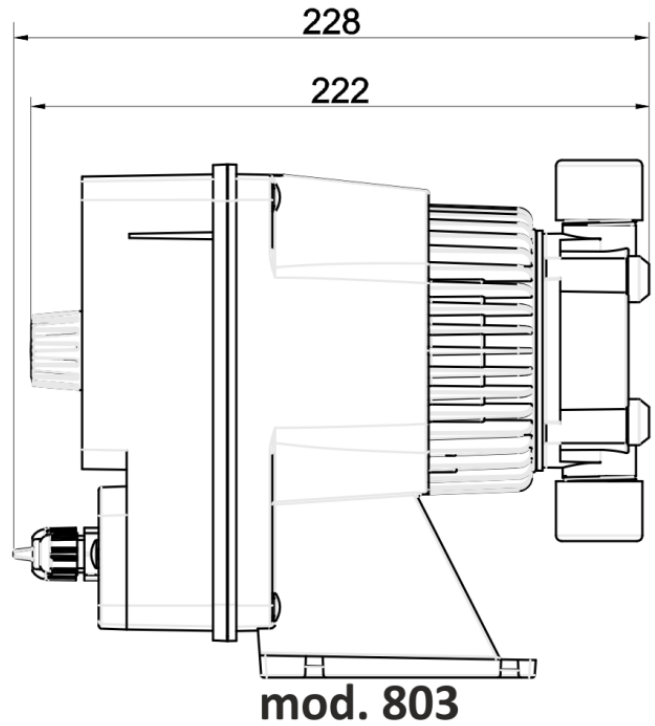
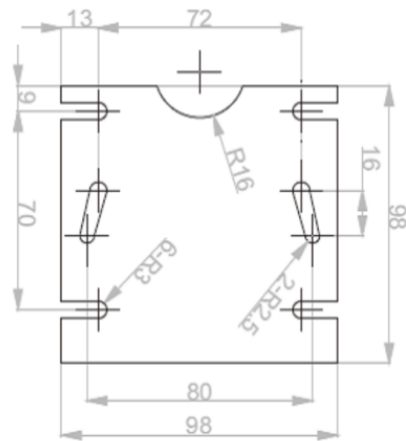
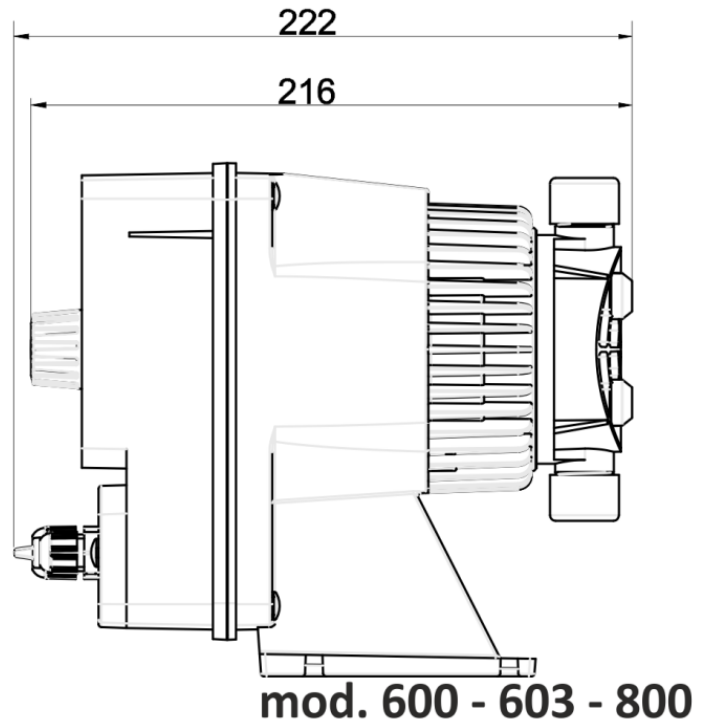
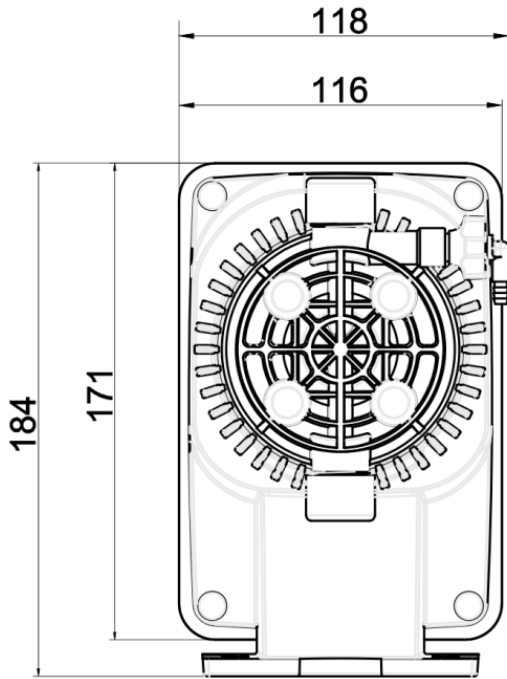


DOSING PUMP

TEKBA EMM SERIES – Solenoid Dosing Pump



DIMENSIONS



INSTALLATION KIT

PVDF

PVDF foot filter	•
PVDF injection valve	•
PVC suction tube (4 m)	•
PE delivery tube (2 m)	•



Agitación
Dosificación
Bombeo