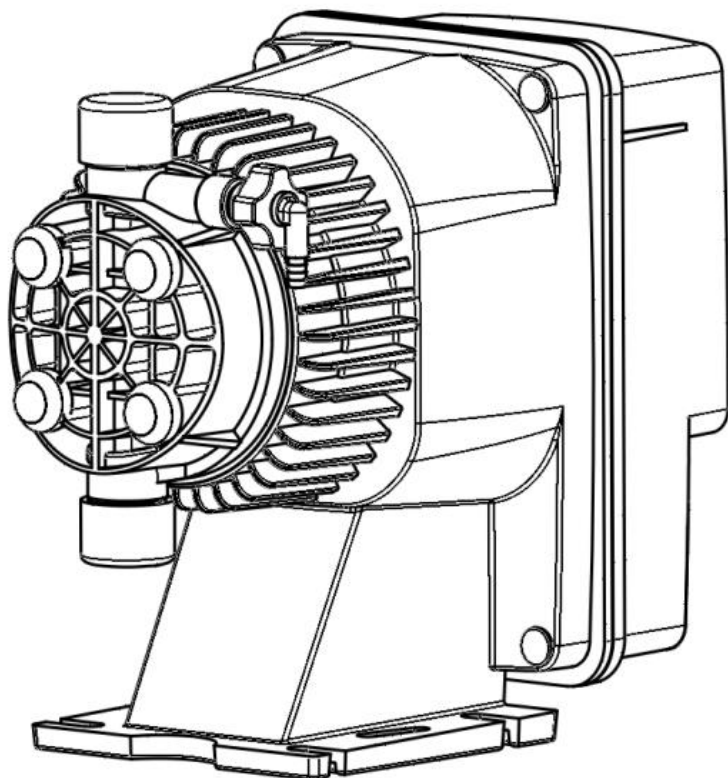


### TECHNICAL CHARACTERISTICS

- Flow rates: from 2.5 to 110 l/h
- Max back pressure: up to 20 bar
- Power supply: 100÷240 Vac - 50/60 Hz
- Stroke rate: from 120 to 300 strokes/minute
- Pump head: PVDF
- Diaphragm: PTFE
- External Enclosure: PP reinforced with fiber glass protection degree IP65
- Manually priming valve
- External connectors for all signal inputs



Seko Tekba EMR Series is a digital dosing pump with constant flow rate, which is manually adjustable by a keyboard (frequency) mounted on the rear panel, and proportional dosing according the measured pH or Redox value.

- pH proportional dosing
- ORP proportional dosing
- Alarm relay
- 4÷20 mA output
- Input On-Off (remote control)

With only 4 sizes this pump can cover a wide range of performances, having a flow rate range from 2.5 to 110 l/h and a back pressure from 0.1 to 20 bar. The power supply is 100÷240 Vac – 50/60 Hz, therefore the same pump can operate with different supply voltage.

The standard pump head is in PVDF, therefore high chemical compatibility with several liquids end. Also, Tekba EMR Series is equipped with a manually priming pump for the start up. All the Tekba pumps use convenient connectors external to the pump for signal input, in order to avoid opening the pump to making connections.

The pump is furnished with a complete standard installation kit, which includes: PVDF foot filter and injection valve, PVC suction and bleed tube, PVDF delivery tube.

### TEKBA pumps - KEY CODE

#### model

EMR Digital constant flow rate, manually adjustable. Proportional dosing according the measured pH or Redox value. PT100 probe input for thermal compensation. Repetition alarm relay. Input On-Off for remote control. 4÷20 mA output for measure transmission. Available with WiFi on board or ModBus protocol. Level control input.

hydraulics	Pressure [bar]	Flow rate [l/h]	Capacity cc/stroke	Frequency [stroke/1']	Ø Connections IN / EXT [mm]
600	20	2.5	0,35	120	4 / 6
	18	3	0,42		
	14	4.2	0,58		
	8	7	0,97		
603	12	4	0,42	160	4 / 6
	10	5	0,52		
	8	6	0,63		
	2	8	0,83		
800	16	7	0,38	300	4 / 6
	10	10	0,55		
	5	15	0,83		
	1	18	1,00		
803	5	20	1,11	300	8 / 10
	4	32	1,78		
	2	62	3,44		
	0.1	110	6,11		

#### stroke length regulation

N NO mechanical regulation

#### power supply

N 100÷240 Vac 50/60 Hz

#### liquid end

H PVDF

A PVDF - automatic degassing

**NOT for 803 hydraulic**

I SS316L

#### installation kit

H PVDF

0 WITHOUT kit

**only for SS316L liquid end**

#### seals

0 FKM-B

1 EPDM

2 PTFE

3 FFKM

**EPDM kit**

#### optional/colour

00

**electronic - hydraulic**

#### optional/customization

W0 WiFi

M0 ModBus

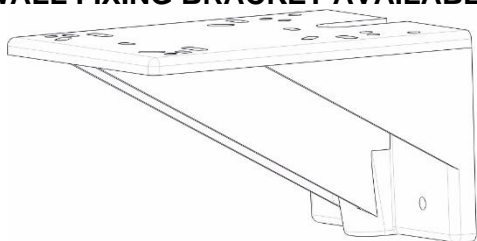
EMR 803 N N H H 1 00 W0

### HYDRAULIC CHARACTERISTICS

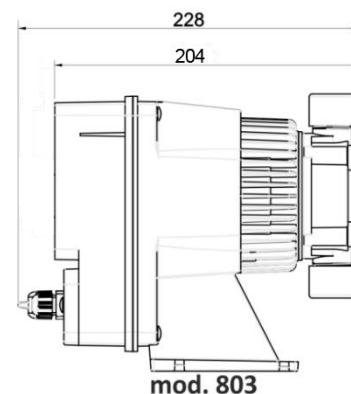
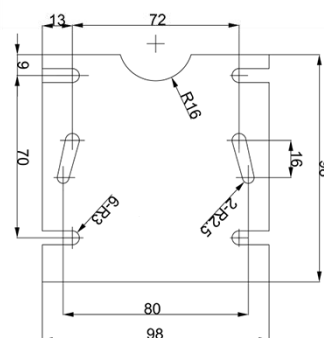
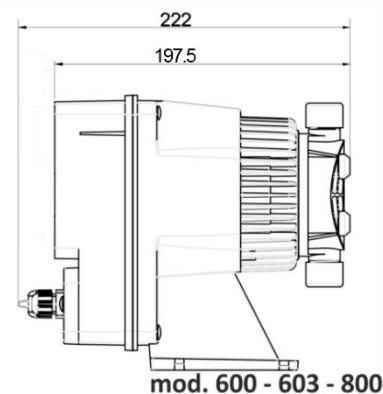
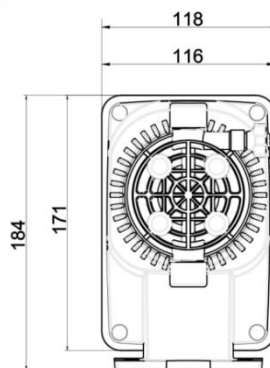
Pump Model	Pressure [bar]	Flow Rate [l/h]	Frequency max [str./min]	Stroke capacity [cc/str.]	Connection [mm]		Power supply [Vac]	Consumption [W]	
					Suction	Discharge		Min	Max
EMR600N	20	2.5	120	0.35	4/6	4/6	100÷240	14.0	19.0
	18	3.0		0.42					
	14	4.2		0.58					
	8	7.0		0.97					
EMR603N	12	4.0	160	0.42	4/6	4/6	100÷240	17.0	22.0
	10	5.0		0.52					
	8	6.0		0.63					
	2	8.0		0.83					
EMR800N	16	7.0	300	0.39	4/6	4/6	100÷240	22.0	33.0
	10	10.0		0.56					
	5	15.0		0.83					
	1	18.0		1.00					
EMR803N	5	20.0	300	1.11	8/10	8/10	100÷240	29.0	37.0
	4	32.0		1.78					
	2	62.0		3.44					
	0	110.0		6.11					

\*Minimum consumption at 0 bar of back pressure (Patented)

### WALL FIXING BRACKET AVAILABLE



### DIMENSIONS



### INSTALLATION KIT

### PVDF

PVDF foot filter	•
PVDF injection valve	•
PVC suction/bleed tube (4 m)	•
PVDF delivery tube (2 m)	•

# DOSING PUMP

## TEKBA EMR SERIES – Solenoid Dosing Pump

