

### TECHNICAL CHARACTERISTICS

- Flow rates: from 0.4 to 110 l/h
- Max back pressure: up to 20 bar
- Power supply:
  - 100÷240 Vac - 50/60 Hz
- Stroke rate: from 120 to 300 strokes/minute
- Pump head: PVDF
- Diaphragm: PTFE
- External Enclosure: PP reinforced with fiber glass protection degree IP65
- Manually priming valve
- Installation kit: Included

Seko Tekna AKS Series is an analogic dosing pump with constant flow rate, which is manually adjustable by a knob mounted on the front panel.

The flow rate has two frequency ranges:

- 0÷20 % of max flow rate
- 0÷100% of max flow rate

With only 5 sizes that pump can cover a wide range of performances, having a flow rate range from 0.4 to 110 l/h and a back pressure from 0.1 to 20 bar. The power supply is 100÷240 Vac – 50/60 Hz therefore the same pump can operate with different supply voltage.

The standard pump head is in PVDF, therefore high chemical compatibility with several liquids end.

All Tekna series are equipped with a manually priming pump for the start up.

The pump is furnished with a complete standard installation kit, which includes: PVDF foot filter and injection valve, PVC suction tube, PE delivery tube. Moreover is available an installation kit in PVDF-T, on request.

### PUMP KEY CODE

Field 1	Field 2	Field 3	Field 4	Field 5	Field 6	Field 7
AKS	800	N	H	P	0	000

Field 1	model	←
Field 2	hydraulics	←
Field 3	power supply	←
Field 4	liquid end	←
Field 5	installation kit	←
Field 6	seals	←
Field 7	customization	←

Field 1	model	<b>Analog</b>
		AKS

Field 2	hydraulics	bar	l/h	stroke/1'	ml/stroke	tubing Ø	consumption
500		20	0,4	120	0,06	in - 4/6 out - 4/7	15 W
		16	0,8		0,11		
		10	1,2		0,17		
		6	1,5		0,21		
600		20	2,5	120	0,35	in - 4/6 out - 4/7	19 W
		18	3		0,42		
		14	4,2		0,58		
		8	7		0,97		
603		12	4	160	0,42	in - 4/6 out - 4/6	22 W
		10	5		0,52		
		8	6		0,63		
		2	8		0,83		
800		16	7	300	0,39	in - 4/6 out - 4/6	33 W
		10	10		0,55		
		5	15		0,83		
		1	18		1,00		
803		5	20	300	1,11	in - 8/12 out - 8/12	37 W
		4	32		1,78		
		2	62		3,44		
		0	110		6,11		

Field 3	power supply	<b>N</b> 100÷240 Vac
---------	--------------	----------------------

Field 4	liquid end	Body	Connections	Balls	Diaphragm
H		PVDF	PVDF	Ceramic	PTFE
		PVDF	PVDF	Ceramic	PTFE
<b>A</b> Pump head with automatic degassing valve. Only for 603 and 800 series					

Field 5	installation kit	<b>H</b> PVDF
		<b>P</b> PVDF-T

Field 6	seals	<b>0</b> FPM
		<b>1</b> EPDM

Field 7	customization	<b>000</b> standard
---------	---------------	---------------------

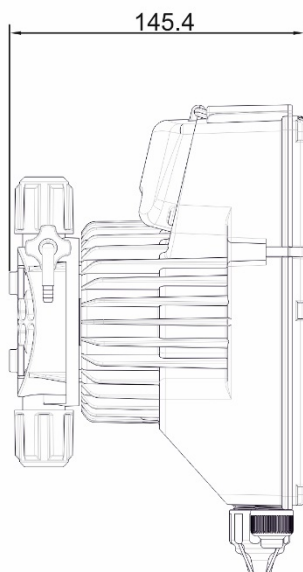
### HYDRAULIC CHARACTERISTICS

Pump Model	Pressure [bar]	Flow Rate [l/h]	Frequency max [stroke/min]	Stroke capacity [cc/stroke]	Connection [mm]		Power supply	Consumption [W]	
					Suction	Discharge		Min	Max
AKS 500N	20	0,4	120	0,06	4/6	4/7	100÷240 Vac	13,0	15,0
	16	0,8		0,11					
	10	1,2		0,17					
	6	1,5		0,21					
AKS 600N	20	2,5	120	0,35	4/6	4/7	100÷240 Vac	14,0	19,0
	18	3,0		0,42					
	14	4,2		0,58					
	8	7,0		0,97					
AKS 603N	12	4,0	160	0,42	4/6	4/6	100÷240 Vac	17,0	22,0
	10	5,0		0,52					
	8	6,0		0,63					
	2	8,0		0,83					
AKS 800N	16	7,0	300	0,39	4/6	4/6	100÷240 Vac	22,0	33,0
	10	10,0		0,56					
	5	15,0		0,83					
	1	18,0		1					
AKS 803N	5	20,0	300	1,11	8/12	8/12	100÷240 Vac	29,0	37,0
	4	32,0		1,78					
	2	62,0		3,44					
	0	110,0		6,11					

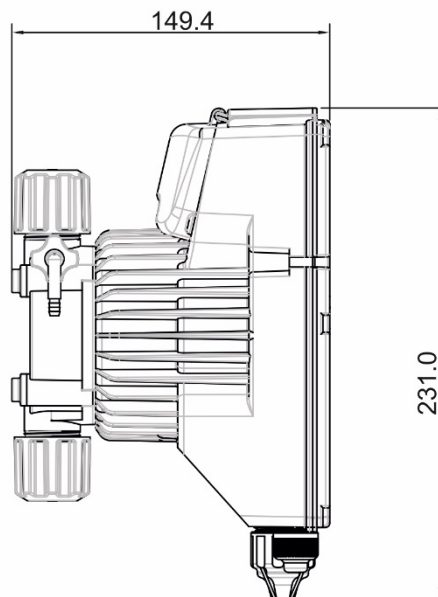
The Pressure Data in the table refer to the measured parameters on the plant, including the use of SEKO STANDARD injection fitting.

\*Minimum consumption at 0 bar of back pressure (Patented)

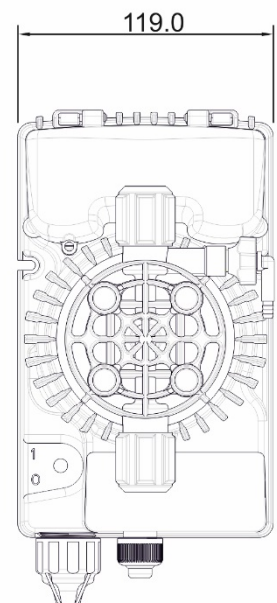
### DIMENSIONS



500 – 600 – 603 – 800



803



### INSTALLATION KIT

- PVDF foot filter
- PVDF injection valve
- PVDF-T foot filter
- PVDF-T Injection valve
- PVC suction tube (4 m)
- PE delivery tube (2 m)

### PVDF PVDF-T

•	
•	
	•
	•
•	
•	

