

### TECHNICAL CHARACTERISTICS

- Flow rates: from 2.5 to 110 l/h
- Max back pressure: up to 20 bar
- Power supply:
  - 100÷240V 50/60 Hz
- Stroke rate: from 120 to 300 strokes/minute
- Pump head:
  - PVDF
- Diaphragm: PTFE
- External Enclosure: PP reinforced with fiber glass  
protection degree IP65
- Manually priming valve
- Installation kit: Included

Seko Tekna TCK Series is a digital dosing pump with:

- Constant flow rate
- Timed dosing with a weekly programmable timer
- Programmable timed relay by activating a dry contact

Also TCK series with only 4 sizes, is possible to cover the same range of performances, with a flow rate range from 2.5 to 110 l/h and a back pressure from 0.1 to 20 bar. The power supply is 100÷240 Vac – 50/60 Hz, therefore the same pump can operate with different supply voltage. The standard pump head is in PVDF, therefore high chemical compatibility with several liquids end but is available in PVC as well, on request.

Tekna TCK series is equipped with a manually priming pump for the start up.

The pump is furnished with a complete standard installation kit, which includes: PVDF foot filter and injection valve, PVC suction tube, PE delivery tube. Moreover is available an installation kit in PVDF-T, on request.

# DOSING PUMP

## TEKNA TCK SERIES – Solenoid Dosing Pump



### PUMP KEY CODE

Field 1	Field 2	Field 3	Field 4	Field 5	Field 6	Field 7
TCK	800	N	H	H	0	000

Field 1	model	←
Field 2	hydraulics	←
Field 3	power supply	←
Field 4	liquid end	←
Field 5	installation kit	←
Field 6	seals	←
Field 7	customization	←

Field 1	model	Digital
		TCK

Field 2	hydraulics	bar	l/h	stroke/1'	ml/stroke	tubing Ø	consumption
600		20	2,5	120	0,35	in - 4/6 out - 4/7	20
		18	3		0,42		
		14	4,2		0,58		
		8	7		0,97		
603		12	4	160	0,42	in - 4/6 out - 4/6	22
		10	5		0,52		
		8	6		0,63		
		2	8		0,83		
800		16	7	300	0,39	in - 4/6 out - 4/6	36
		10	10		0,56		
		5	15		0,83		
		1	18		1,00		
803		5	20	300	1,11	in - 8/12 out - 8/12	-
		4	32		1,78		
		2	62		3,44		
		0	110		6,11		

Field 3	power supply	N 100÷240 Vac
---------	--------------	---------------

Field 4	liquid end	Body	Connections	Balls	Diaphragm
	H	PVDF	PVDF	Ceramic	PTFE
	A	PVDF	PVDF	Ceramic	PTFE
	I	AISI316L		AISI316L	PTFE

**A** Pump head with automatic degassing valve. Only for 603 and 800 series

Field 5	installation kit	H PVDF
		P PVDF-T

Field 6	seals	0 FPM
		1 EPDM
		2 Elastomer Free

Field 7	customization	000 standard
---------	---------------	--------------

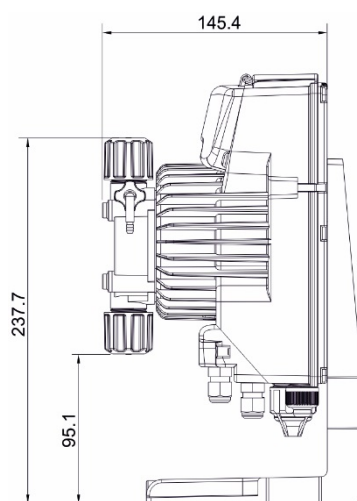
### HYDRAULIC CHARACTERISTICS

Pump Model	Pressure [bar]	Flow Rate [l/h]	Frequency max [stroke/min]	Stroke capacity [cc/stroke]	Connection [mm]		Power supply	Consumption [W]	
					Suction	Discharge		Min	Max
TCK600N	20	2,5	120	0,35	4/6	4/7	100÷240 Vac	14,0	20,0
	18	3		0,42					
	14	4,2		0,58					
	8	7		0,97					
TCK603N	12	4	160	0,42	4/6	4/6	100÷240 Vac	15,0	22,0
	10	5		0,52					
	8	6		0,63					
	2	8		0,83					
TCK800N	16	7	300	0,39	4/6	4/6	100÷240 Vac	22,0	36,0
	10	10		0,56					
	5	15		0,83					
	1	18		1,00					
TCK803N	5	20	300	1,11	8/12	8/12	100÷240 Vac	-	-
	4	32		1,78					
	2	62		3,44					
	0	110		6,11					

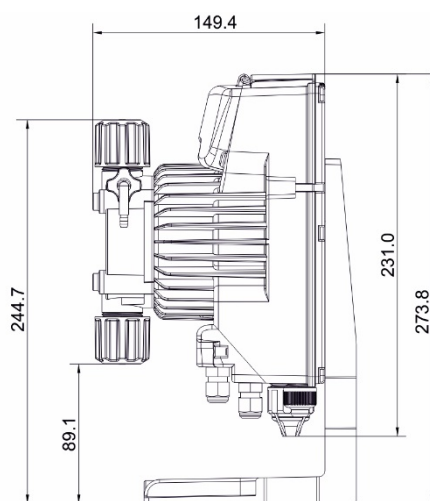
The Pressure Data in the table refer to the measured parameters on the plant, including the use of SEKO STANDARD injection fitting.

\*Minimum consumption at 0 bar of back pressure (Patented)

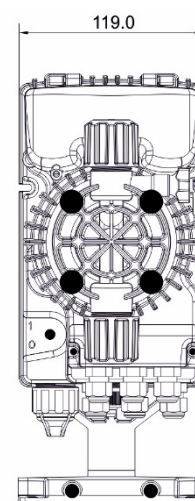
### DIMENSIONS



600 - 603 - 800



803



600 - 603 - 800 - 803

# DOSING PUMP

## TEKNA TCK SERIES – Solenoid Dosing Pump



### INSTALLATION KIT

### PVDF PVDF-T

PVDF foot filter	•	
PVDF injection valve	•	
PVDF-T foot filter		•
PVDF-T Injection valve		•
PVC suction tube (4 m)	•	
PE delivery tube (2 m)	•	
Wall and base fixing bracket	•	

